

PEGASUS BANNER SHIELD

Standard Silver: PGSUS2-S
Standard Black: PGSUS2-B

The Pegasus Banner Shield is an economy display that can be used as a banner shield and partition wall/divider for interior spaces in all types of businesses - classrooms, offices, manufacturing operations, beauty/barber shops, salons, restaurants and more. Simple to assemble, the Pegasus Banner Shield features telescopic poles and the banner is made of scrim vinyl and clear plastic. The scrim vinyl portion of the banner is offered printed or unprinted (white).



WARNING: Cancer
www.P65Warnings.ca.gov

We are continually improving and modifying our product range and reserve the right to vary the specifications without prior notice. All dimensions and weights quoted are approximate and we accept no responsibility for variance. E&OE. See Graphic Templates for graphic bleed specifications.

features and benefits:

- Sizes offered: 4'X6', 5'X6', 6'X6', 4'X8', 5'X8', 6'X8'
- Kit Includes: 2 feet, 4 telescopic poles for uprights & verticals that connect with push buttons, 4 pole connectors, graphic with clear & scrim vinyl, and a carry bag
- One year limited warranty against manufacturer defects
- Simply extend telescopic poles to desired width and length based on graphic selection
- The Banner Shield includes both a scrim vinyl portion and a clear vinyl portion for optimal visibility
- The scrim vinyl portion is offered printed or non; unprinted will be White
- The clear banner material can be cleaned with a soft cloth, mild soap and water

dimensions:

Hardware

Assembled Unit:
 Pegasus Standard

Max : 102.36" w x 100.2" h x 25.6" d
 2600mm(w) x 2545mm(h) x 650mm(d)

Min: 58.66" w x 70.87" h x 25.6" d
 1490mm(w) x 1800mm(h) x 650mm(d)

Approx. Weight (with carry bag):
 Standard: 10.75 lbs / 4.88 kgs

Shipping

Packing case(s):

Standard: 38" l x 8" w x 5" h
 965mm(l) x 203mm(w) x 127mm(h)

Approximate total shipping weight
 (includes graphics):
 Standard: 14 lbs / 7 kgs

Graphics:

Total Visual Area:
 Pegasus Standard:
 51.5" w up to 94" w x 67.75" up to 96.5" h

Please be sure to include a 3.75" bleed on the top and bottom for 1" diameter pole pocket.

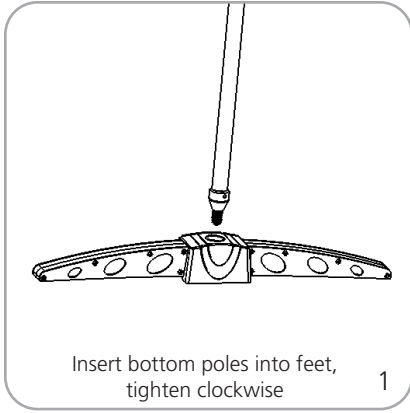
The minimum graphic size is 48" or 4'. The maximum graphic size, which is 96" or 8' wide. The pole measures 51.5" at its smallest. There will be approximately 3.5" of exposed pole when ordering a 4' graphic.

Refer to related graphic template for more information Visit: www.exhibitors-handbook.com/graphic-templates.

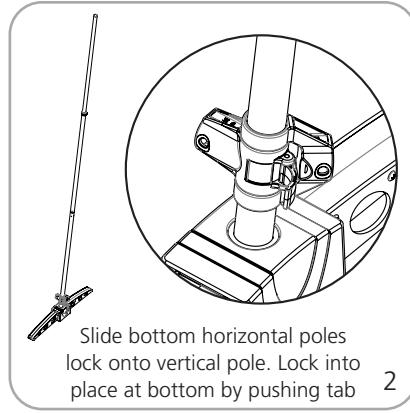
Graphic Codes:

- 4'X6' Unprinted Scrim-
 BS-PGSUS2-48X72-BLANK-G
- 4'X6' Printed Scrim-
 BS-PGSUS2-48X72-G
- 5'X6' Unprinted Scrim-
 BS-PGSUS2-60X72-BLANK-G
- 5'X6' Printed Scrim-
 BS-PGSUS2-60X72-G
- 6'X6' Unprinted Scrim-
 BS-PGSUS2-72X72-BLANK-G
- 6'X6' Printed Scrim-
 BS-PGSUS2-72X72-G
- 4'X8' Unprinted Scrim-
 BS-PGSUS2-48X96-BLANK-G
- 4'X8' Printed Scrim-
 BS-PGSUS2-48X96-G
- 5'X8' Unprinted Scrim-
 BS-PGSUS2-60X96-BLANK-G
- 5'X8' Printed Scrim-
 BS-PGSUS2-60X96
- 6'X8' Unprinted Scrim-
 BS-PGSUS2-72X96-BLANK-G
- 6'X8' Printed Scrim-
 BS-PGSUS2-72X96-G

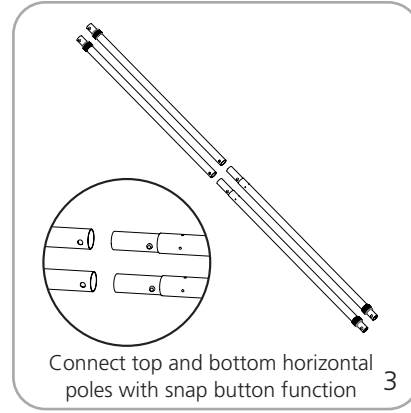
SETUP



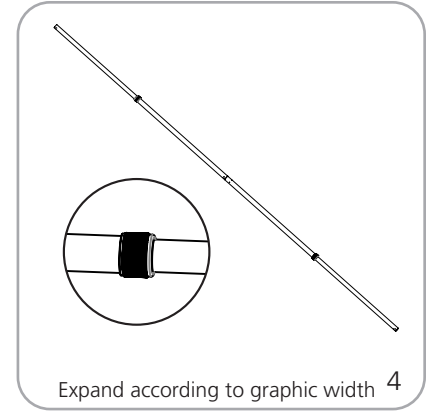
Insert bottom poles into feet, tighten clockwise 1



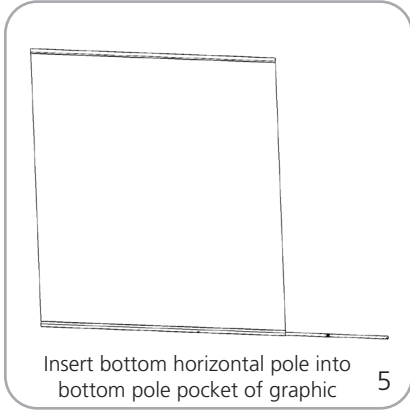
Slide bottom horizontal poles lock onto vertical pole. Lock into place at bottom by pushing tab 2



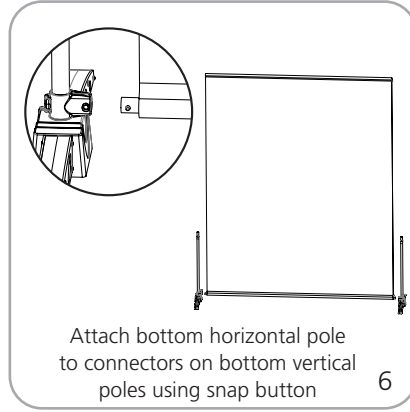
Connect top and bottom horizontal poles with snap button function 3



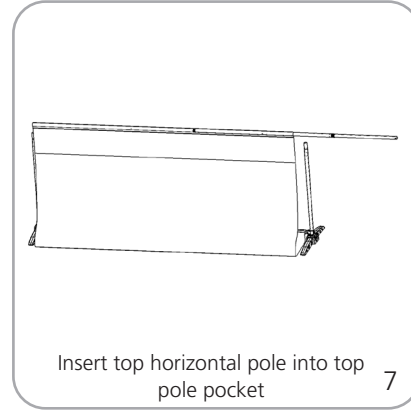
Expand according to graphic width 4



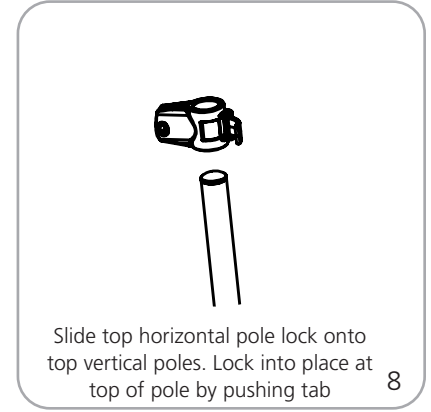
Insert bottom horizontal pole into bottom pole pocket of graphic 5



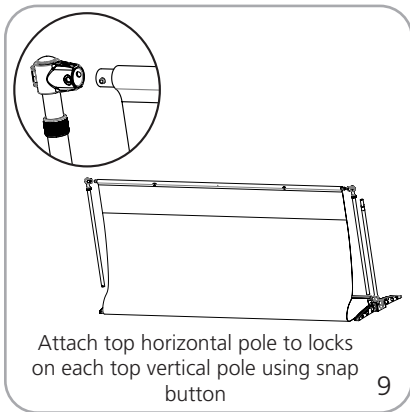
Attach bottom horizontal pole to connectors on bottom vertical poles using snap button 6



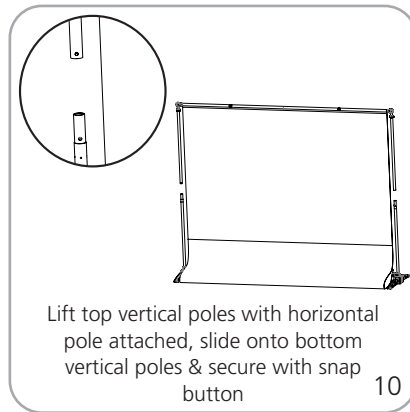
Insert top horizontal pole into top pole pocket 7



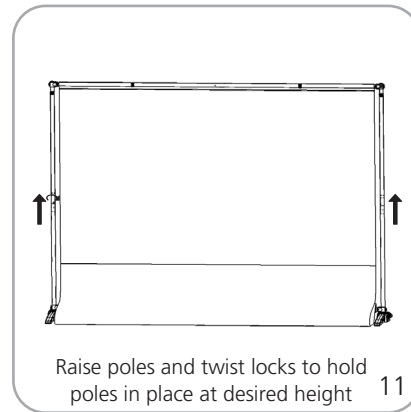
Slide top horizontal pole lock onto top vertical poles. Lock into place at top of pole by pushing tab 8



Attach top horizontal pole to locks on each top vertical pole using snap button 9



Lift top vertical poles with horizontal pole attached, slide onto bottom vertical poles & secure with snap button 10

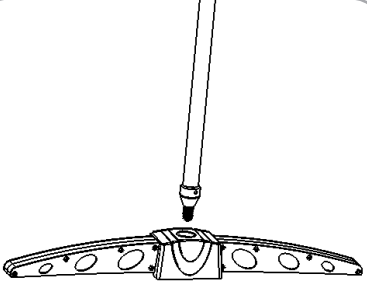


Raise poles and twist locks to hold poles in place at desired height 11




Unit is complete

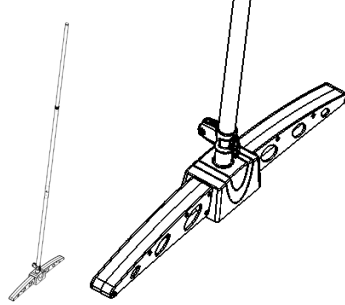
EXTENSION KIT SETUP



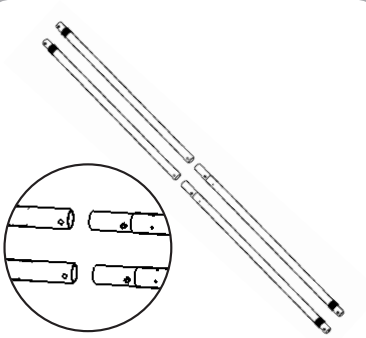
Insert bottom poles into feet, tighten clockwise 1



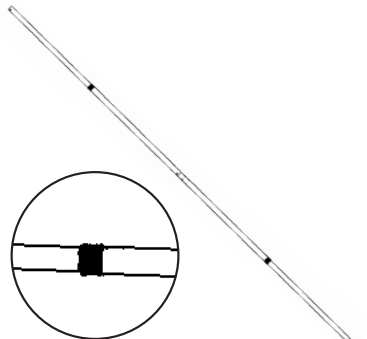
Slide linking connector and horizontal pole lock on bottom center vertical pole 2



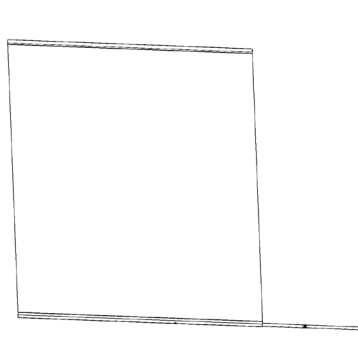
Slide bottom horizontal pole locks only onto outside vertical poles. Lock into place at bottom by pushing tab 3



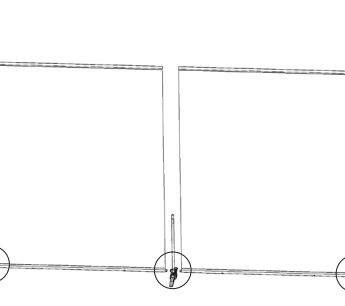
Connect all top and bottom horizontal poles with snap buttons 4



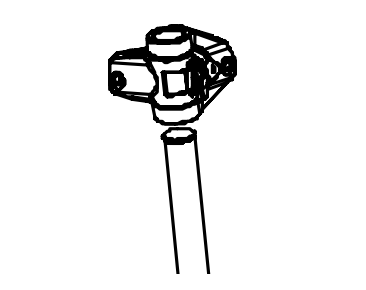
Expand according to graphic width 5



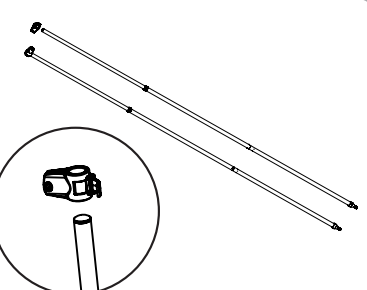
Insert bottom horizontal pole into bottom pole pocket of graphics 6



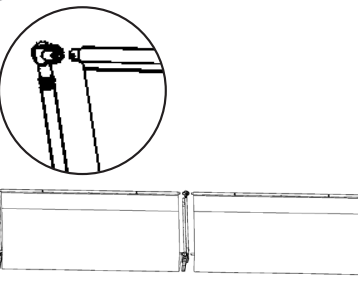
Attach bottom horizontal poles to lock/linking connector on bottom center vertical pole & the locks on outside bottom vertical poles w/snap buttons 7



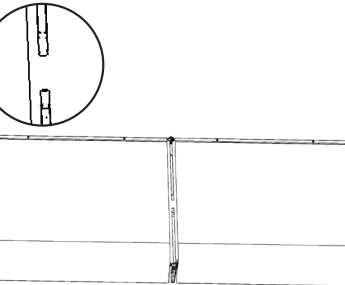
Slide linking connector & top horizontal pole lock onto top center vertical pole. Lock into place at top of pole by pushing tab 8



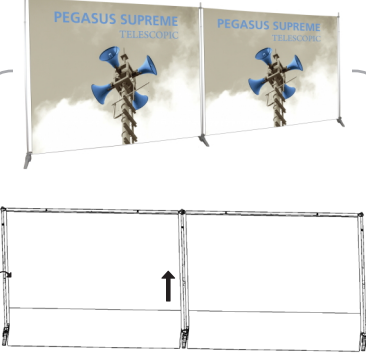
Slide horizontal top pole lock onto top outside vertical poles; lock into place at top of pole by pushing tab 9



Attach top horizontal poles to lock/linking connectors on top center vertical pole and the locks on the outside top vertical poles 10



Lift top vertical poles with horizontal poles attached, slide onto bottom vertical poles & secure with snap buttons 11



Raise poles and twist locks to hold poles in place at desired height; unit is complete 12