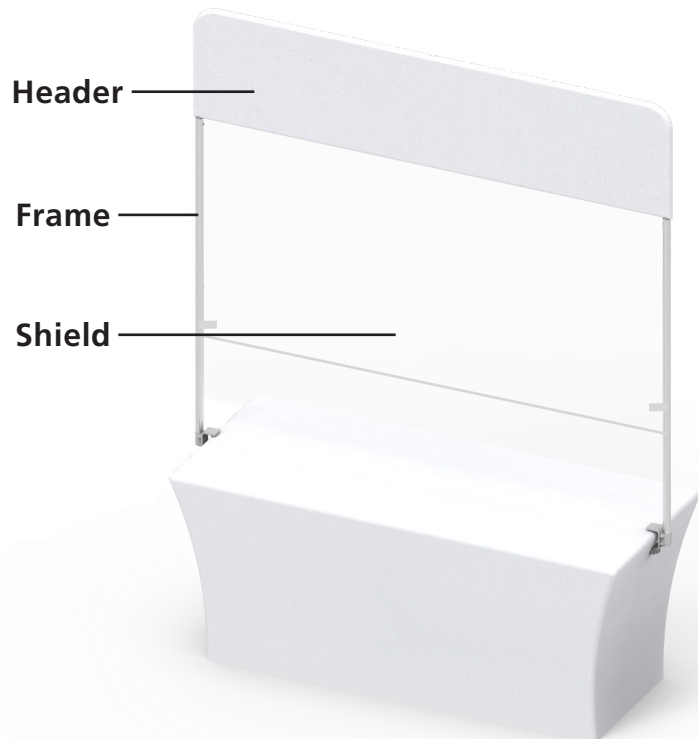


Perch Banner Shield

- PERCH-6 (Hardware Sold Separately)
- PERCH-8 (Hardware Sold Separately)
- BS-PERCH-6-KIT(Blank Header& Shield)
- BS-PERCH-8-KIT (Blank Header& Shield)
- BS-PERCH-6-G-KIT (Printed Header& Shield)
- BS-PERCH-8-G-KIT (Printed Header& Shield)

PERCH BANNER SHIELD Table top displays are perfect for customer facing environments or offices where employees may sit closely next to each other. This portable table banner shield features a pass-through open bottom design for documents and money transfer while maintaining safe protective distance. This product is an effective way of minimizing exposure to airborne droplets.

Available for both 6 ft. and 8 ft. long tables in both printed and unprinted. The tool-less kit lets you clamp the overhead display to your table, instantly attracting attention from across the room. The kit uses the perch hardware to create a header + clear banner shield. Quick, easy assembly and take down.





We are continually improving and modifying our product range and reserve the right to vary the specifications without prior notice. All dimensions and weights quoted are approximate and we accept no responsibility for variance. E&OE. See Graphic Templates for graphic bleed specifications.

features and benefits:

- 30mm anodized silver tube frame
- Light weight structure
- Graphics have a 6 month warranty against manufacturer defects.
- Kit includes one dye-sublimated graphic, one clear banner shield graphic
- Lifetime hardware warranty against manufacturer defects

dimensions:

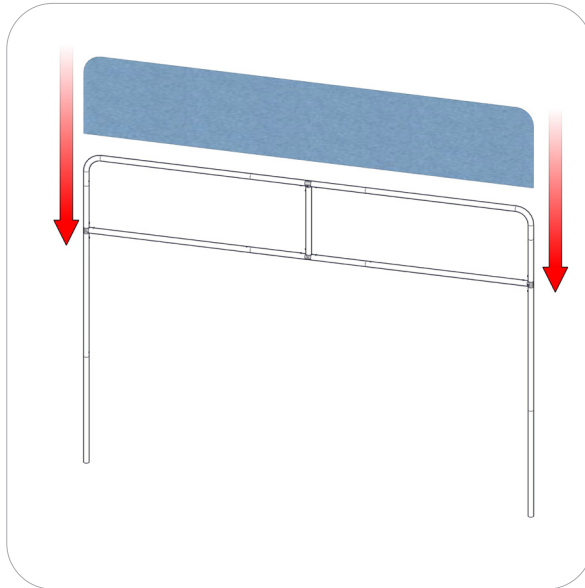
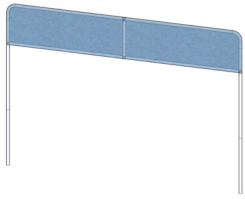
Hardware	Graphic												
<p>Assembled unit:</p> <p>BS-PERCH-6 (Graphic only): 75.48" w x 70.60" h x 1.18" d 1917mm(w) x 1793mm(h) x 30mm(d) Approximate weight: 2 lb / 1 kg</p> <p>BS-PERCH-8 (Graphic only): 99.61" w x 70.60" h x 1.18" d 2530mm(w) x 1793mm(h) x 30mm(d) Approximate weight: 3 lb / 2 kg</p>	<p>Refer to related graphic template for more information.</p> <p>Visit: www.exhibitors-handbook.com/graphic-templates</p> <p>Graphic Options: -BS-PERCH-6-KIT, unprinted -BS-PERCH-6-G-KIT, printed -BS-PERCH-8-KIT, unprinted -BS-PERCH-8-G-KIT, printed</p>												
<p>Shipping</p> <p>Packing box(es):</p> <p>Perch Clear Graphic only 6': 1 Box: 18" l x 12" h x 4" d 457mm(l) x 304mm(h) x 101mm(d) Approximate weight: 5 lb / 3 kg</p> <p>Perch Clear Graphic only 8': 1 Box: 18" l x 12" h x 4" d 457mm(l) x 304mm(h) x 101mm(d) Approximate weight: 7 lb / 4 kg</p> <p>Approximate total shipping weight of kits:</p> <table style="width: 100%; border: none;"> <tr> <td>PERCH-6:</td> <td>13 lb / 6 kg</td> </tr> <tr> <td>PERCH-8:</td> <td>15 lb / 7 kg</td> </tr> <tr> <td>BS-PERCH-6-KIT:</td> <td>16 lb / 8 kg</td> </tr> <tr> <td>BS-PERCH-8-KIT:</td> <td>20 lb / 10 kg</td> </tr> <tr> <td>BS-PERCH-6-G-KIT:</td> <td>16 lb / 8 kg</td> </tr> <tr> <td>BS-PERCH-8-G-KIT:</td> <td>20 lb / 10kg</td> </tr> </table>	PERCH-6:	13 lb / 6 kg	PERCH-8:	15 lb / 7 kg	BS-PERCH-6-KIT:	16 lb / 8 kg	BS-PERCH-8-KIT:	20 lb / 10 kg	BS-PERCH-6-G-KIT:	16 lb / 8 kg	BS-PERCH-8-G-KIT:	20 lb / 10kg	<p>additional information:</p> <p>Graphic material: -Dye-sublimation pillowcase fabric -Clear Vinyl</p> <p>The clear film should be rolled to prevent kinking. Suggested to be packed separately.</p> <div style="text-align: right;">  <p>WARNING: Cancer www.P65Warnings.ca.gov</p> </div> <p>2 person assembly recommended:</p> <div style="text-align: center;">  </div>
PERCH-6:	13 lb / 6 kg												
PERCH-8:	15 lb / 7 kg												
BS-PERCH-6-KIT:	16 lb / 8 kg												
BS-PERCH-8-KIT:	20 lb / 10 kg												
BS-PERCH-6-G-KIT:	16 lb / 8 kg												
BS-PERCH-8-G-KIT:	20 lb / 10kg												

Kit Assembly

Step by Step PERCH BANNER SHIELD 6' & 8'

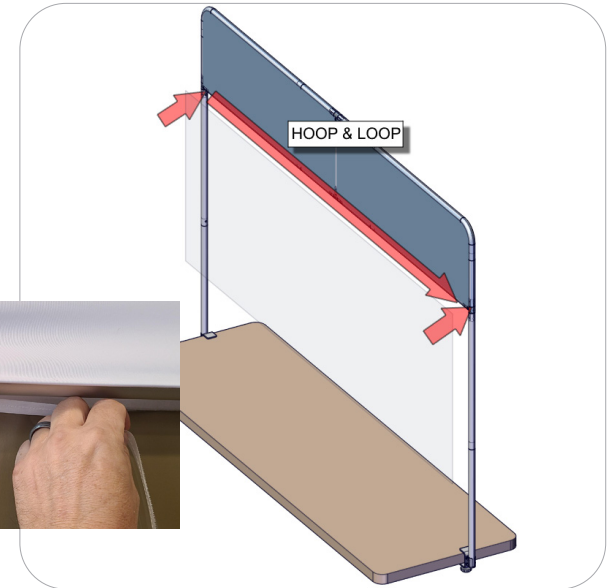
Step 1.

Apply the fabric pillowcase graphic over the frame.



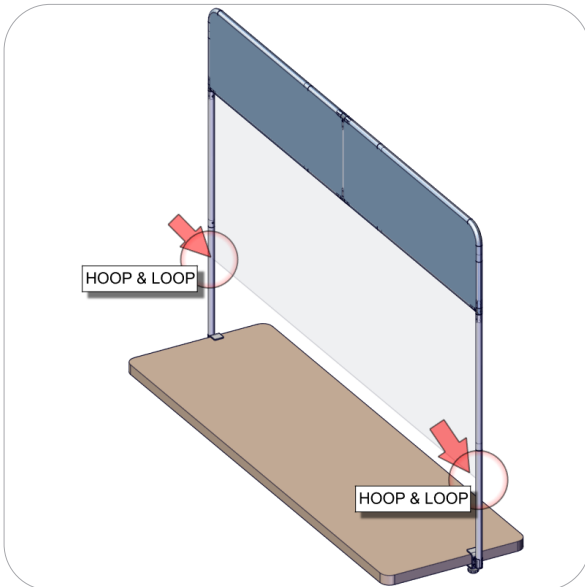
Step 2.

Apply the clear film to one side of pillowcase graphic using hook & loop.



Step 3.

The Bottom fastens to the pole with a hook & loop on both sides.



Step 4.

Setup is complete.

