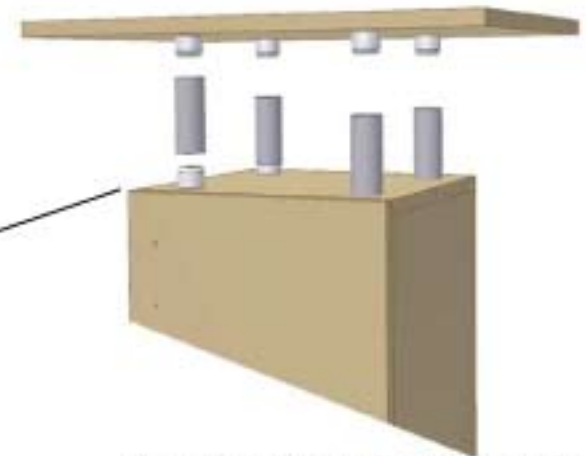
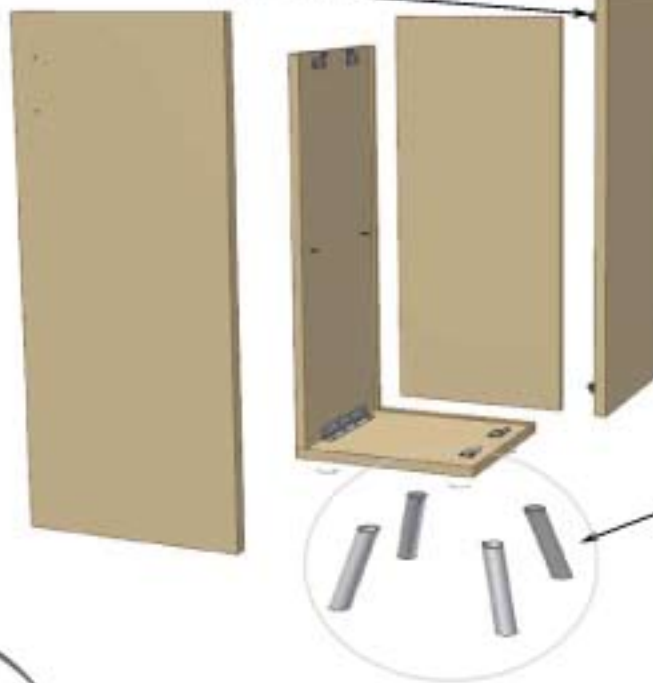




*Cabinet Door(s) will clip into pre-installed base plate. Place front of hinge then clip back in place*



*Slide Standoffs over Pre-Installed Pegs*



*Slide Angle Legs over Pre-Installed Pegs*