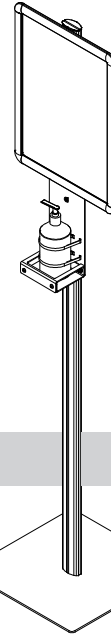
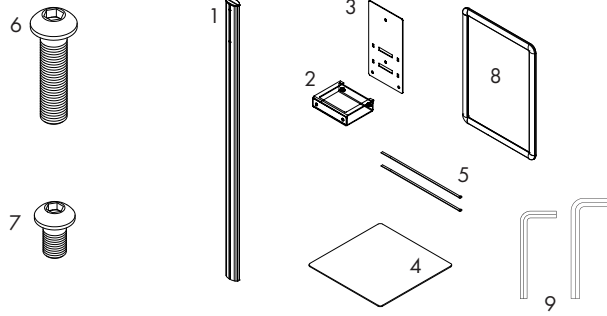


Deluxe Hand Sanitizer

Product Parts

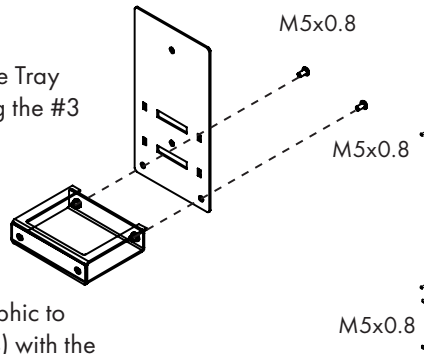
1. Post with cap
2. Tray
3. Back Bracket
4. Base
5. Zip Ties (x6)
6. M6x1.0 Screw (x2)
7. M5x0.8 Screw (6)
8. Snap Frame
9. #3 & #4 Hex Wrench



Display Set-Up

Step 1

Using two of the M5x0.8 Screws (7) fasten the Tray (2) and the Back Bracket (3) as pictured, using the #3 Hex Wrench (9).



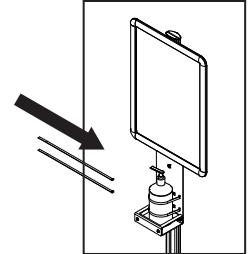
Step 2

If you have ordered a graphic only, affix *graphic to base first then attach the Post (1) to the Base (4) with the two M6x1.0 Screws (6), using the #4 Hex Wrench (9). *Base Graphic will be installed for you if you have ordered a kit.



Step 3

Place two M5x10 Screws (7) through holes on Back Bracket (3), and align to threaded rivets in channel.



Step 4

Open the the Snap Frame (8) to gain access to the holes and place two M5x0.8 Screws (7) through holes on Snap Frame (8) and thread loosely into threaded rivets.

M6x1.0

Step 5

Place your container of hand sanitizer (**NOT INCLUDED**) onto stand and secure in place with the Zip Ties (5).

Graphic Install for Frame

Open the snap edges and remove the protective film and place it over your *graphic. Place graphic with the protective film on top, into the Snap Frame (8). Close the snap edges. *Frame Graphic will be installed for you if you have ordered a kit.



Storage & Care

To Store: Store upright in a cool dry place. To Clean: Use soap and water.

DO NOT USE homemade formulas of sanitizer. For further guidance on sanitizer solutions go to <https://www.fda.gov/media/136289/download> the FDA's guidance on sanitizer products.