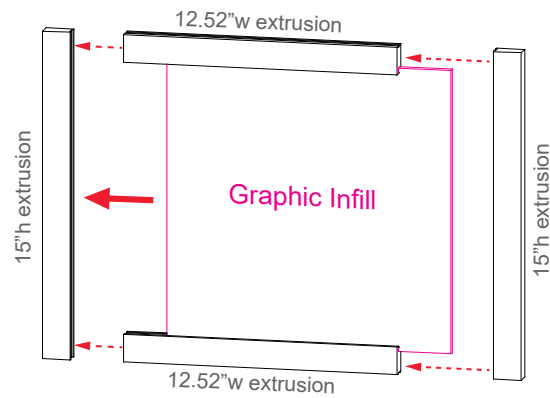


Steps:

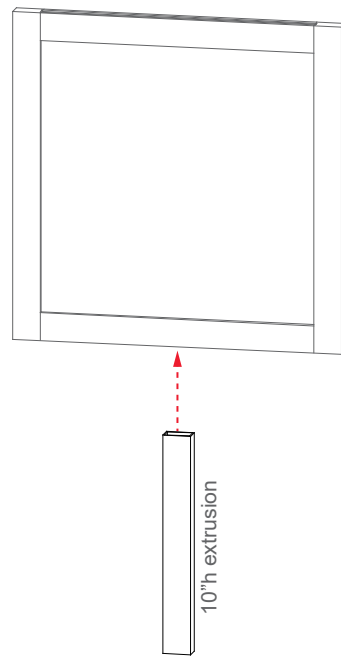
- 1) Install base plate to bottom of post, using bolt.
- 2) Assemble Header Frame as shown, inserting graphic.
See [Header Assembly](#) detail.
- 3) Slide Header Frame onto top of post.

Header Frame Assembly

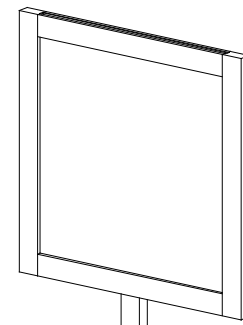
- 1) Lock horizontal extrusions to vertical extrusions, sliding graphic infill between horizontals.



- 2) Attach bottom vertical to underside of lower horizontal.

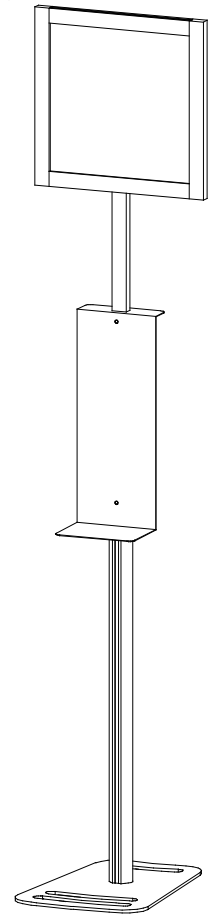
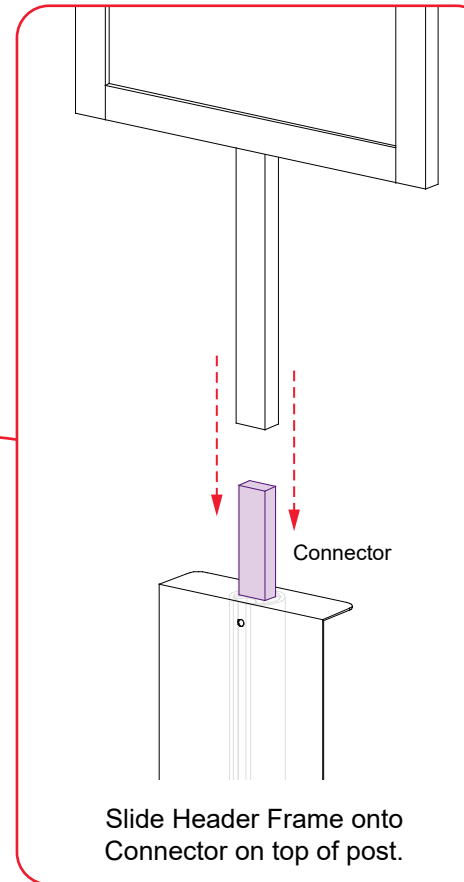
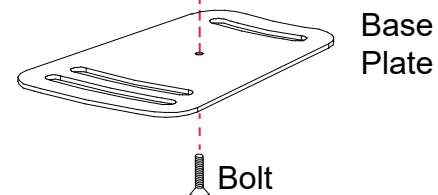


Header Frame



Z-Plate

Post w/ Z-Plate



Completed Assembly

Keep Z-plate attached to post when packing.

General Setup Instructions

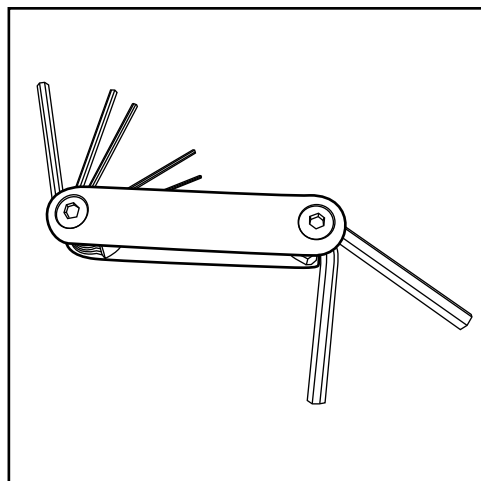
- Read entire setup instruction manual prior to unpacking parts and pieces.
- The setup instructions are created specifically for this configuration.
- Setup instructions are laid out sequentially in steps, including exploded views with detailed explanation for assembly.

Cleaning & Packing

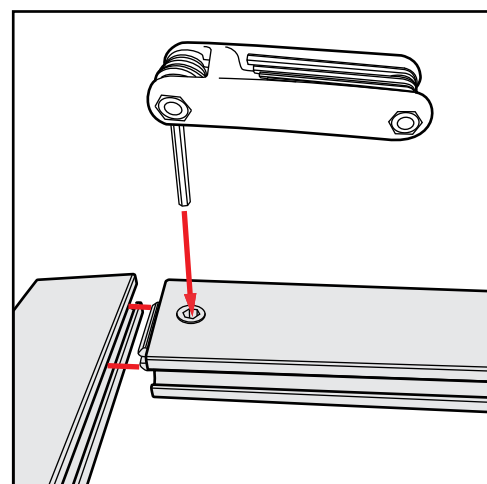
- For Cleaning Metal, Plex, & Laminate Parts: Use a **MILD NON-ABRASIVE** cleanser and soft cloth/paper towel to clean all surfaces.
- Keep exhibit components away from heat and prolonged sun exposure. **Heat and UV exposure will warp and fade components.**
- Retain all provided Packing Materials. All provided packing materials are for ease of repacking & component protection.

Disassembly

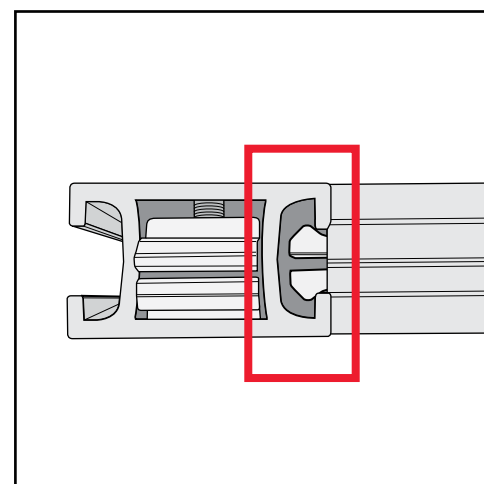
- For loss prevention, tighten all set screws and locks during disassembly.



Hex Tool - Essential for Assembly



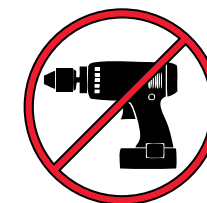
Extrusion & Lock Connection



Engaged Lock



WARNING



DO NOT USE POWER TOOLS



ALL CONNECTIONS MUST BE TIGHTLY SECURED



DO NOT USE SCREWS THAT ARE STRIPPED