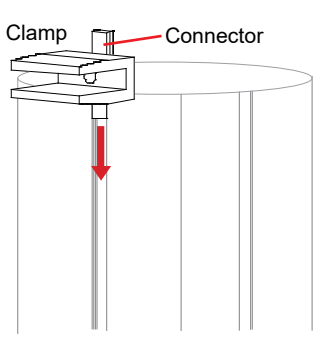


Steps:

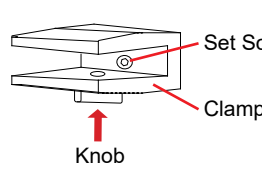
- 1) Attach base plate to bottom of post, using bolt.
- 2) Connect Z-plate to front of post, using bolts. See **V4 Connector** detail.
- 3) Attach Z-plate to top of post, using bolt.
- 4) Attach graphic to clamps. See **Graphic Attachment** detail.

Keep V4 connectors attached to post when packing.

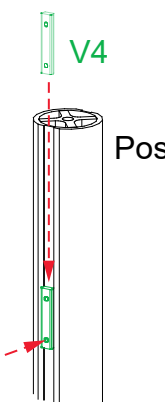
Graphic Attachment



- 1) Slide connector of clamp into groove of extrusion.
- 2) Tighten set screw on clamp, to secure in place.
- 3) Insert graphic into clamp.
- 4) Tighten knob on clamp, to secure graphic in place.

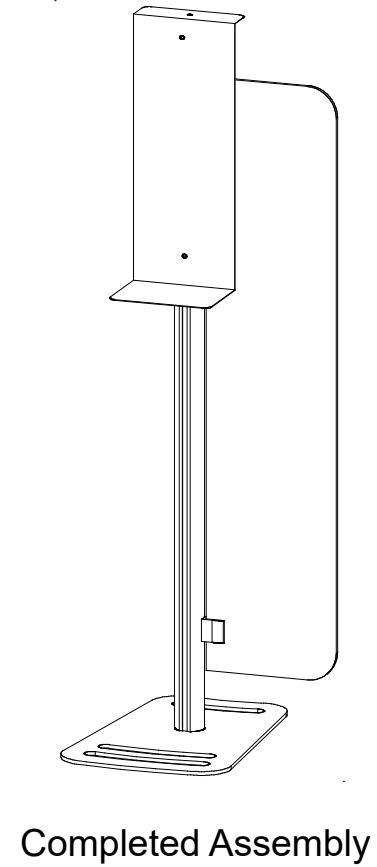
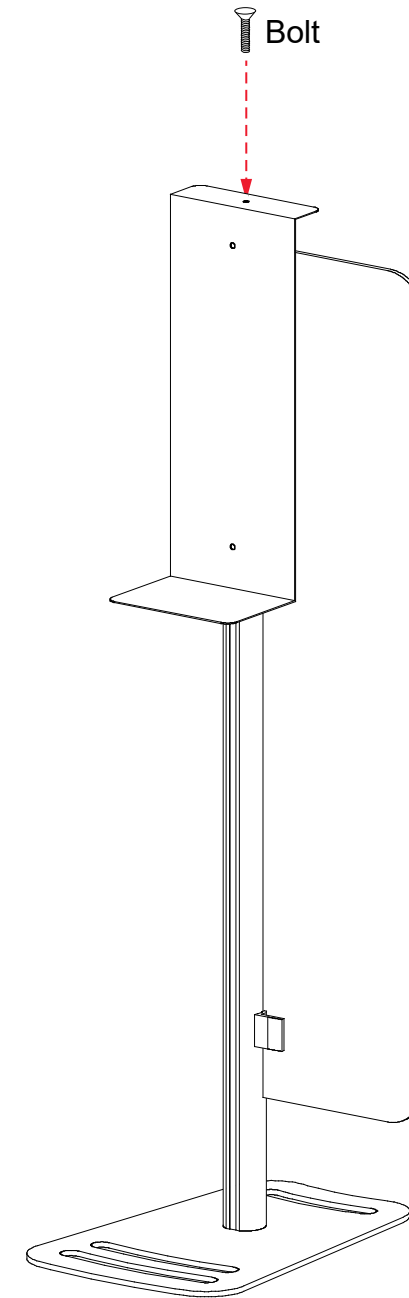
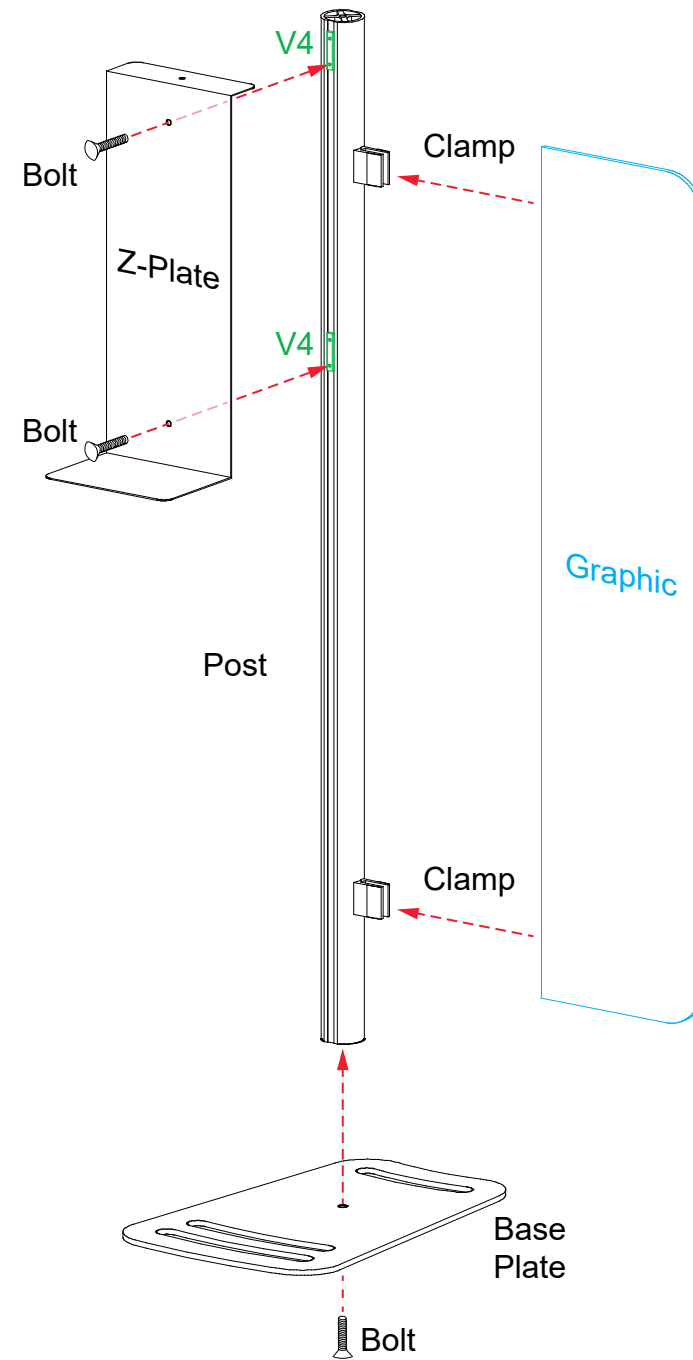


V4 Connector



Slide V4 into groove of post, then secure with set screw.

To prevent product loss, keep all screws attached to V4 after disassembling.



General Setup Instructions

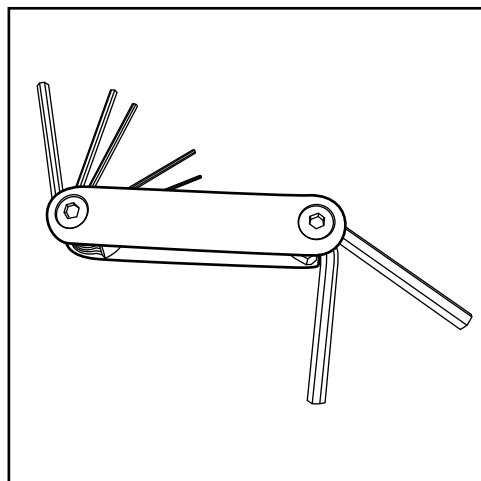
- Read entire setup instruction manual prior to unpacking parts and pieces.
- The setup instructions are created specifically for this configuration.
- Setup instructions are laid out sequentially in steps, including exploded views with detailed explanation for assembly.

Cleaning & Packing

- For Cleaning Metal, Plex, & Laminate Parts: Use a **MILD NON-ABRASIVE** cleanser and soft cloth/paper towel to clean all surfaces.
- Keep exhibit components away from heat and prolonged sun exposure.
Heat and UV exposure will warp and fade components.
- Retain all provided Packing Materials. All provided packing materials are for ease of repacking & component protection.

Disassembly

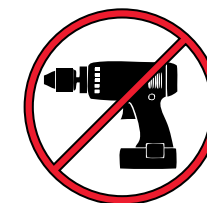
- For loss prevention, tighten all set screws and locks during disassembly.



Hex Tool - Essential for Assembly



WARNING



DO NOT USE POWER TOOLS



ALL CONNECTIONS MUST BE TIGHTLY SECURED



DO NOT USE SCREWS THAT ARE STRIPPED