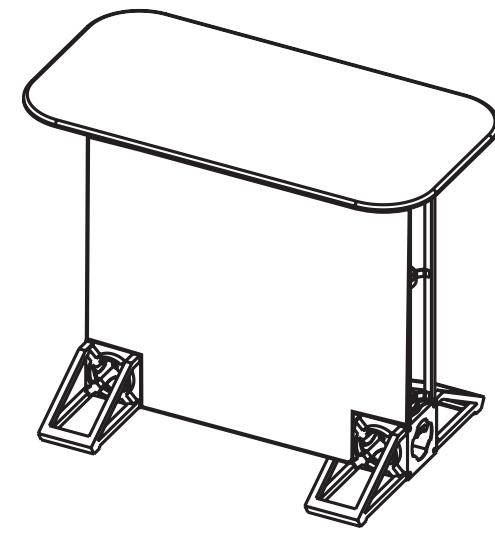


**Truss Counter  
Straight Style B  
Dye Sub Printed**



Front Side Panel:

Total Graphic Area: 40.25" x 40.125"

Finished Size: 36.25" x 36.125"

Template requires 2" bleed around the perimeter

FS = Graphic is front side mounted  
(3/4" w velcro is applied to the back of the panel)

Notching = 6 1/8" square that is cut into the appropriate location.

**General Art Guidelines:**

- CMYK Color Mode
- All Solid Coated Pantone colors should be called out in the art as spot colors
- Embed all images and support files
- Resolution must be 100-120ppi @ 100% size
- All fonts must be created to outlines
- Do not scale artboard
- Background color/images must bleed to the edge of artboard
- Do not use spot colors from template in your artwork as they will not print

**FS**

**Compatible with  
Truss Counters: OR-TC01,  
OR-TC02 and OR-TC03**

notched

6.125" x 6.125"

on bottom

left and right side.

— bleed area

— trim line