

TEMPLATE KEY

FINISHED SIZE

See Banner Sizes Below

SAFE AREA

3.5" from finished edge

— = PIN SLOT

Using PMS colors in your art is recommended but an exact match cannot be guaranteed.

BANNER A: 26.75"W x 28.5"H

QTY: 1

BANNER B: 26.75"W x 31.188"H

QTY: 1

BANNER C: 29.5"W x 28.5"H

QTY: 2

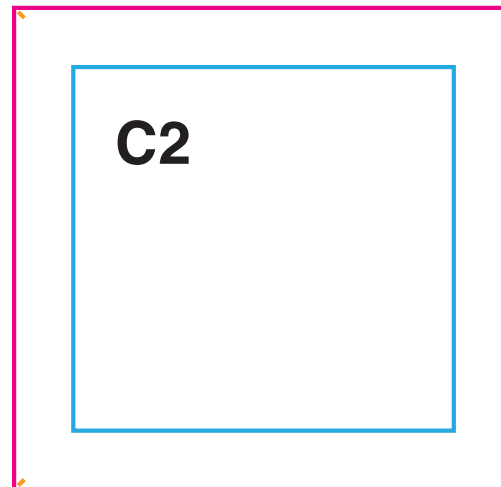
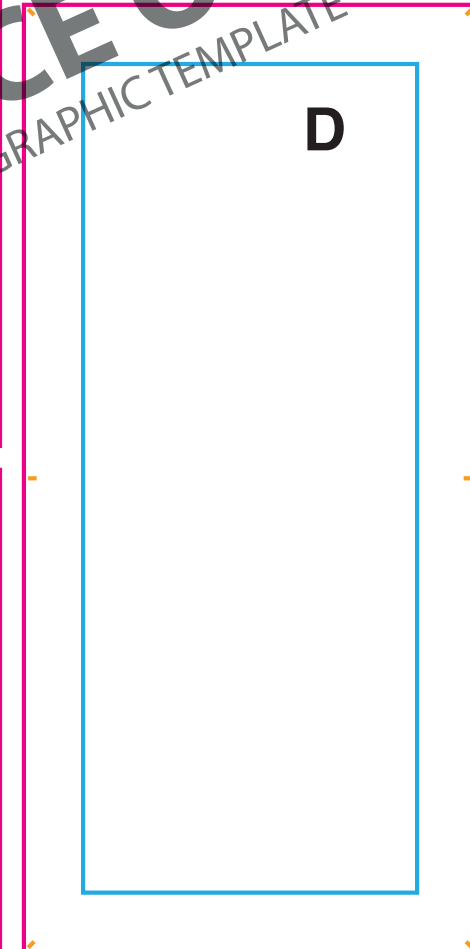
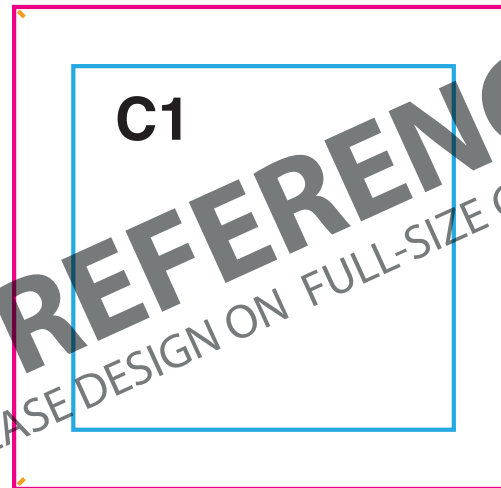
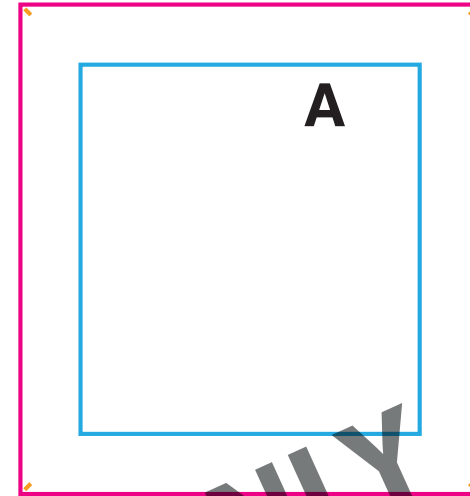
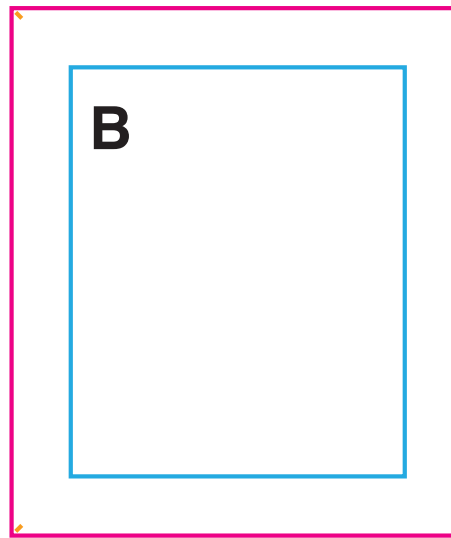
BANNER D: 26.75"W x 56"H

QTY: 1

IMPORTANT NOTE:

- THIS TEMPLATE SHOWS PRINT LAYOUT ONLY.
- EACH BANNER HAS ITS OWN UNIQUE ANGLE AND STRETCH WHEN ATTACHED TO THE FRAME.
- IT IS HIGHLY RECOMMENDED TO KEEP TEXT AND LOGOS WITHIN THE SAFE AREA TO AVOID DISTORTION.

SEE PAGE 2 FOR REPRESENTATION
OF POSITION ON FRAME

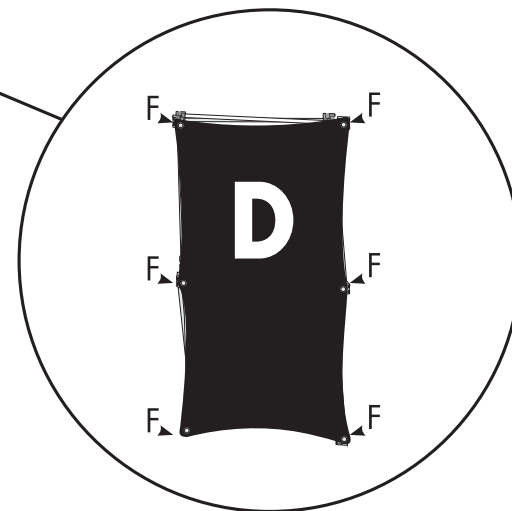
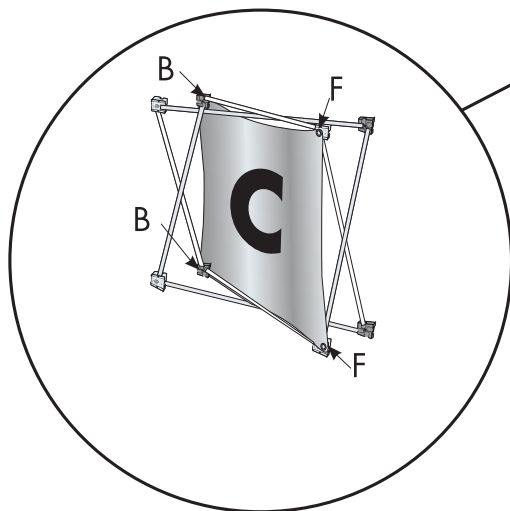
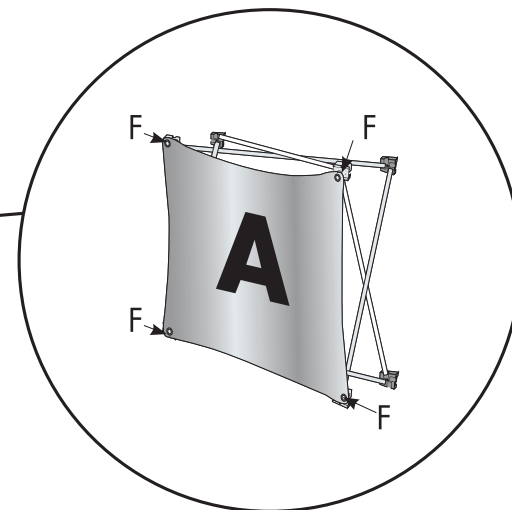
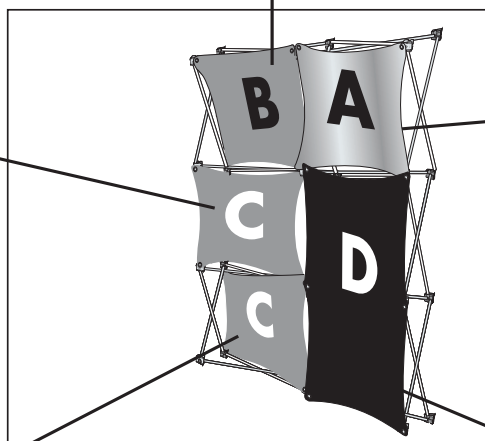
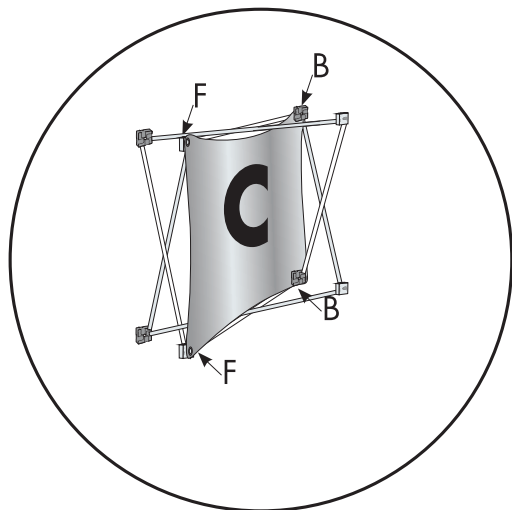
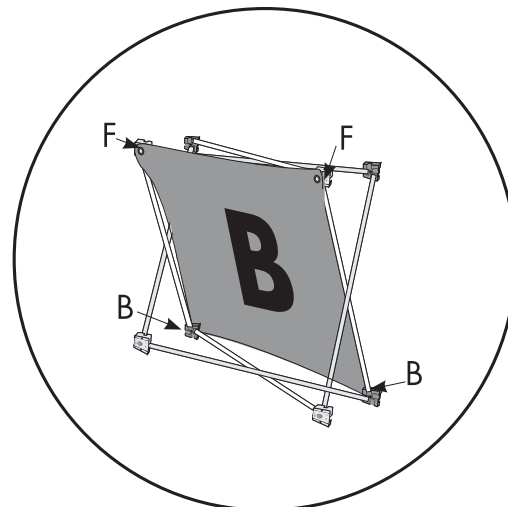


REFERENCE ONLY
PLEASE DESIGN ON FULL-SIZE GRAPHIC TEMPLATE - PAGES 3-6

EACH BANNER IS FABRICATED
TO FIT A SPECIFIC ANGLE/POSI-
TION ON THE FRAME.

B=BACK
F=FRONT

Item# 337123, 337113, 337102



Banner A

**PLEASE DELETE THIS LAYER
BEFORE SAVING**

**All images must be embedded
All fonts must be outlined**

FINISHED AREA - 26.75"W x 28.5"H

VISIBLE WHEN DISPLAYED

SAFE AREA - 19.75"W x 21.5"H

KEEP IMPORTANT TEXT/LOGOS WITHIN THIS AREA

Banner B

**PLEASE DELETE THIS LAYER
BEFORE SAVING**

**All images must be embedded
All fonts must be outlined**

FINISHED AREA - 26.75"W x 31.188"H

VISIBLE WHEN DISPLAYED

SAFE AREA - 19.75"W x 24.188"H

KEEP IMPORTANT TEXT/LOGOS WITHIN THIS AREA

Banner C

**PLEASE DELETE THIS LAYER
BEFORE SAVING**

**All images must be embedded
All fonts must be outlined**

**Submit 2 Art Files
labeled C1 & C2**

FINISHED AREA - 29.5"W x 28.5"H

VISIBLE WHEN DISPLAYED

SAFE AREA - 22.5"W x 21.5"H

KEEP IMPORTANT TEXT/LOGOS WITHIN THIS AREA

**PLEASE DELETE THIS LAYER
BEFORE SAVING**

**All images must be embedded
All fonts must be outlined**

FINISHED AREA - 26.75"W x 56"H

VISIBLE WHEN DISPLAYED

SAFE AREA - 19.75"W x 49"H

KEEP IMPORTANT TEXT/LOGOS WITHIN THIS AREA