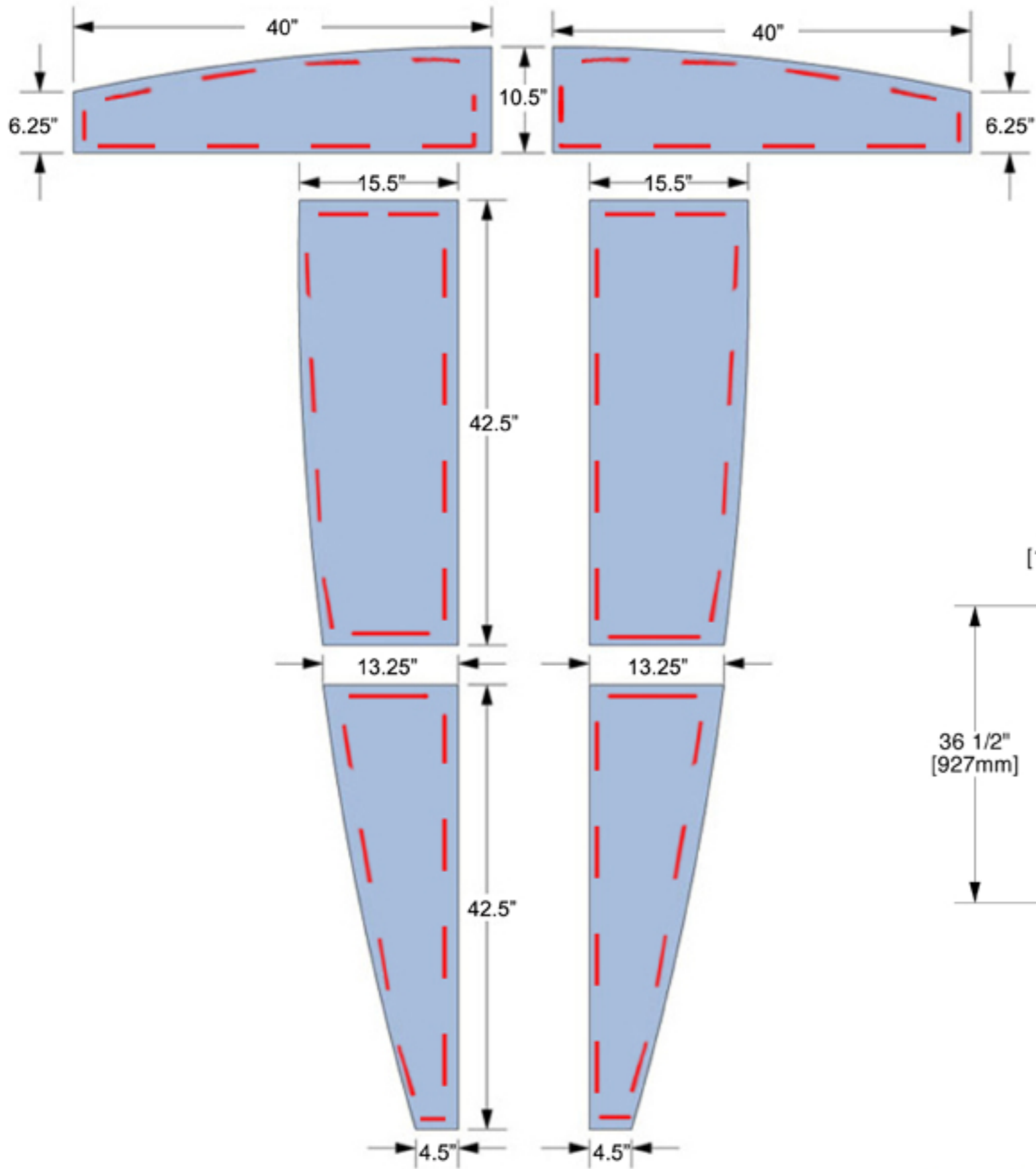


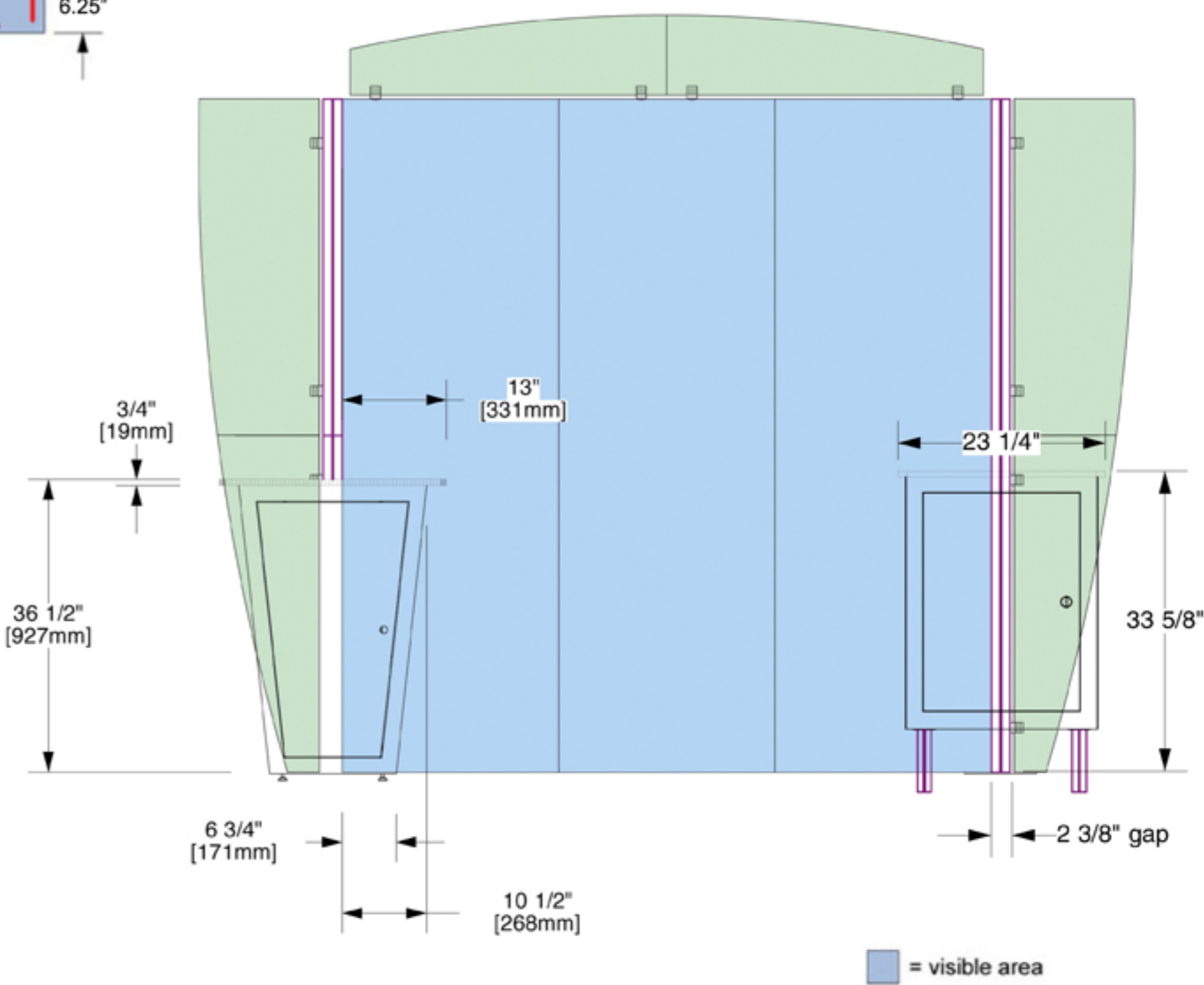
Panel Dimensions

Wings & Headers

AL-W5FP



Fixed Counter Options



**\*\* Please note that sizes shown include a 1/4" bleed to each panel that will be trimmed off. Please design artwork accordingly.\*\***

**■ = visible area**

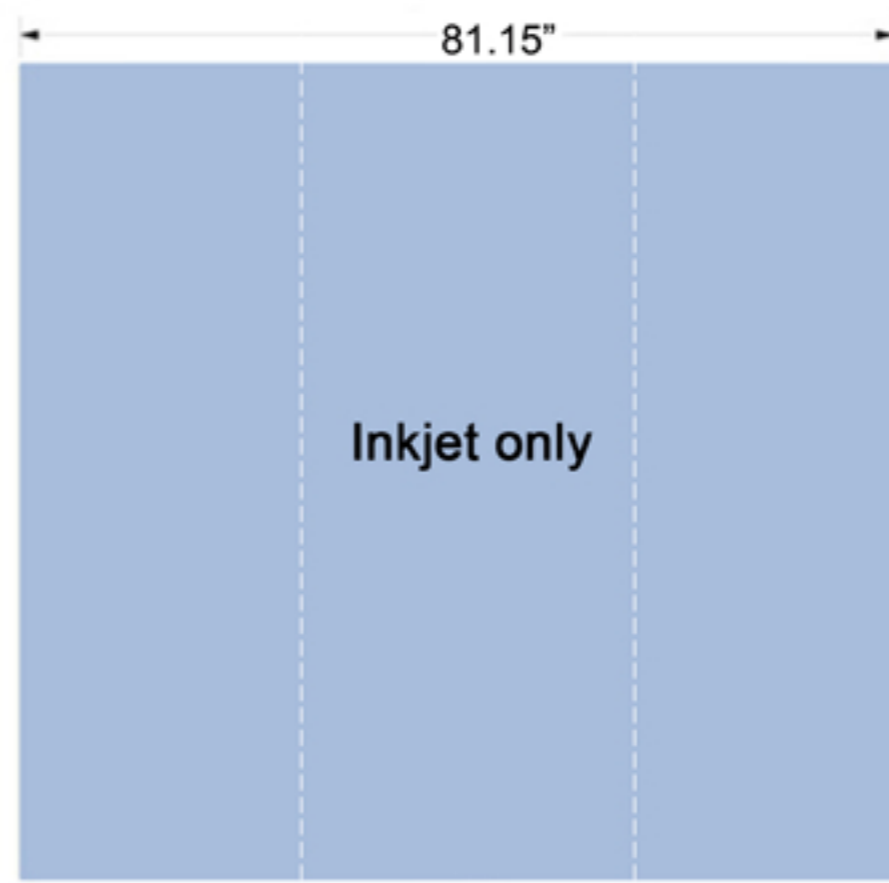
Dye Sub graphic panel



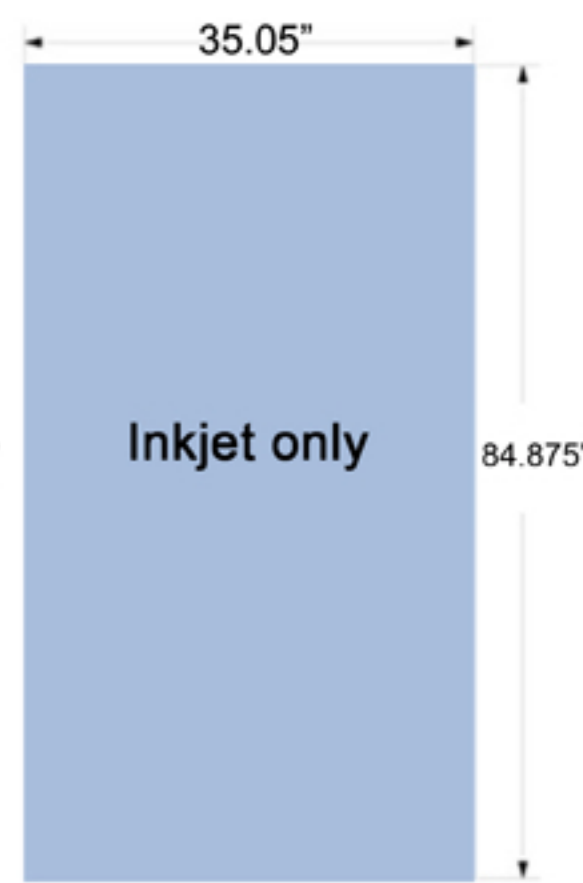
Dye Sub connecting panel



Inkjet graphic panels



Inkjet connecting panel



NOTE: Do not place critical art within 2" of the border, and leave an additional 1" white border all around.

Front Panels:

Printing: Prepare file at 81.15"x 84.875"

Cutting: Panels are cut at 27"x84"

Magnetizing: Place right to edge on all 4 sides

Connecting Panel:

Printing: Prepare file at 35.05"x84.875"

Cutting: Panels are cut at 35"x84"

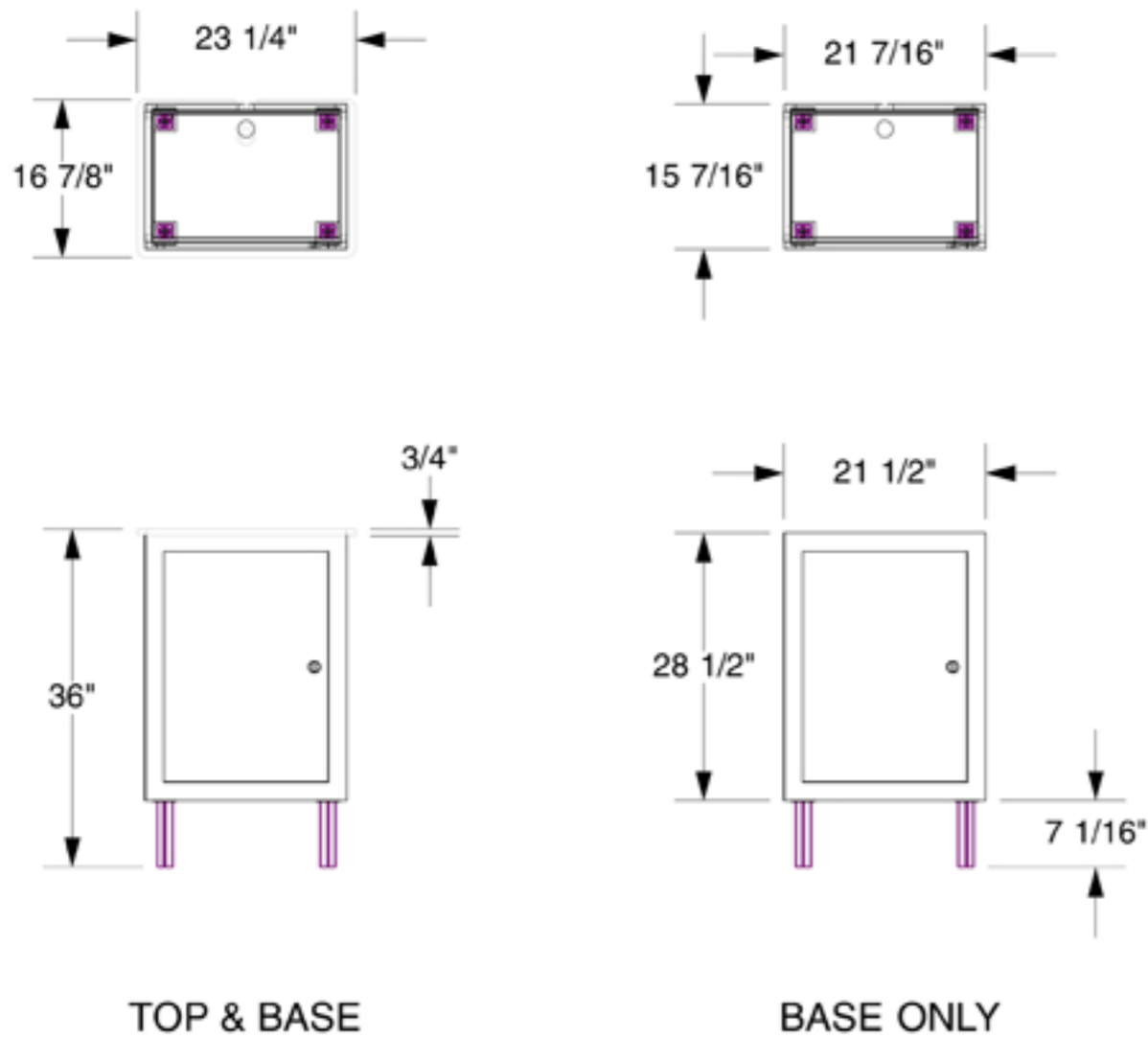
Magnetizing: Place right to edge on all 4 sides

Wing Panels:

Printing: Prepare file at size shown which include 1/4" bleed

Cutting: 1/4" from each side will trim off

Lineare Counter Dims



Alumalite Counter Dims

