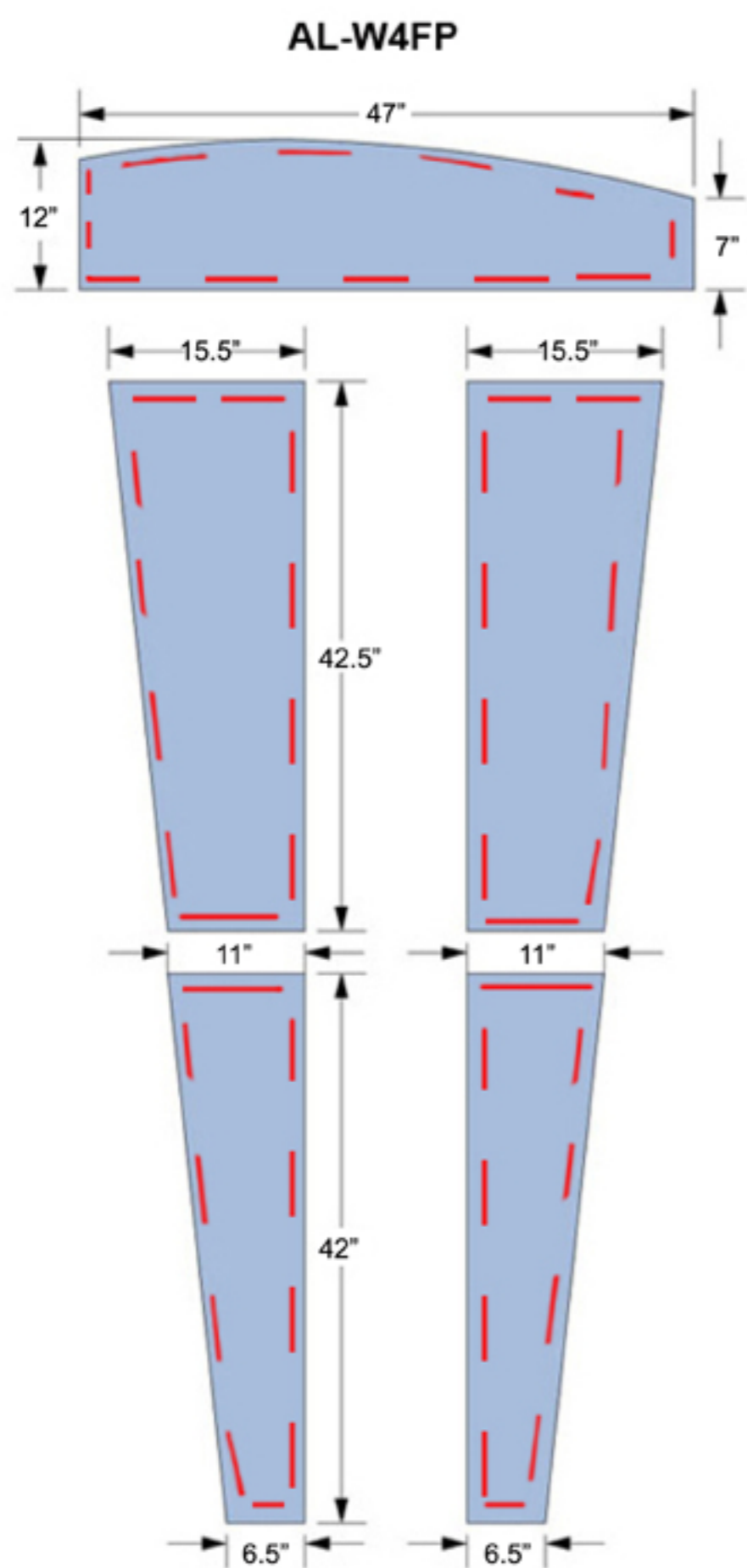
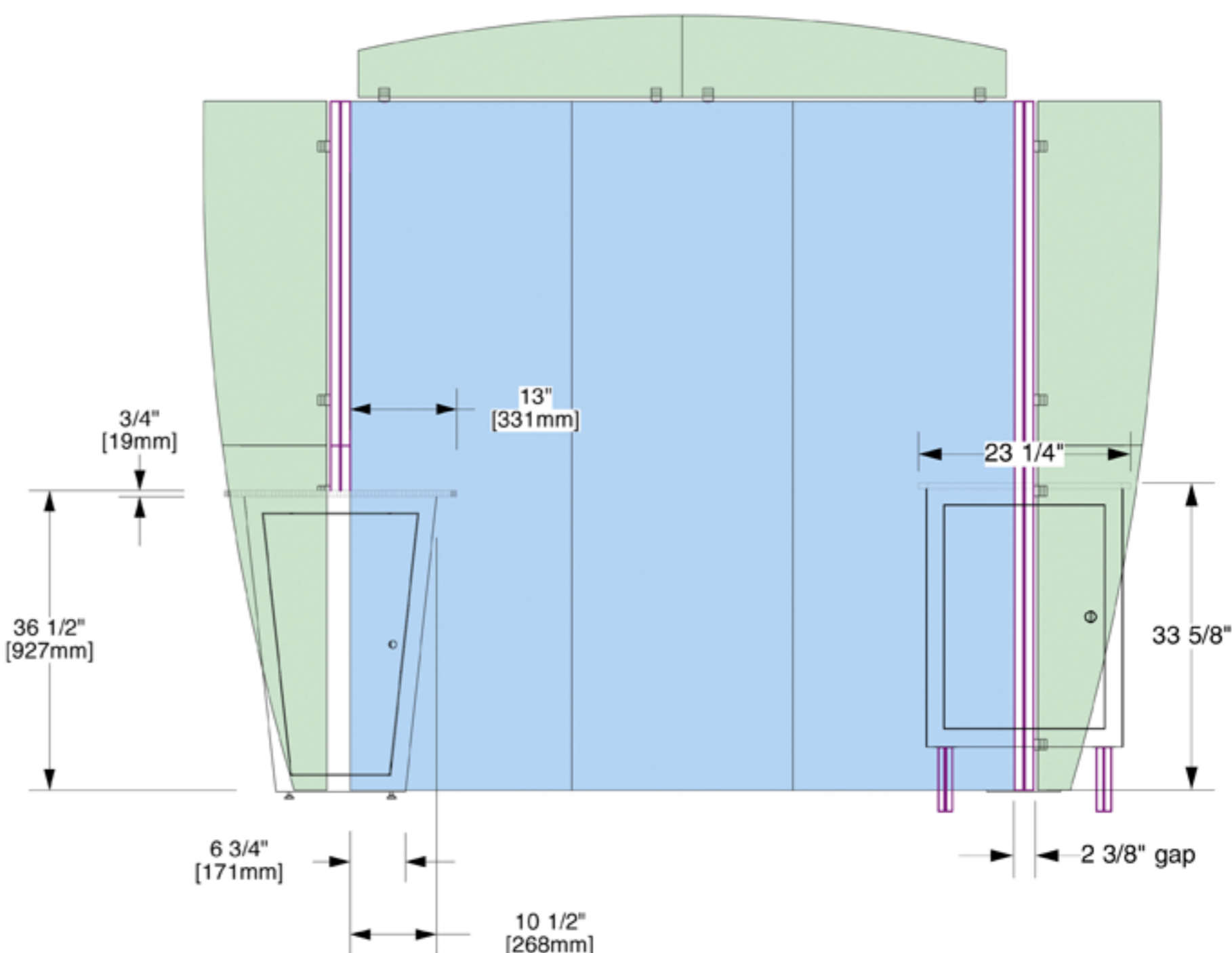


Panel Dimensions

Wings & Headers



Fixed Counter Options



**\*\* Please note that sizes shown include a 1/4" bleed to each panel that will be trimmed off. Please design artwork accordingly.\*\***

= visible area

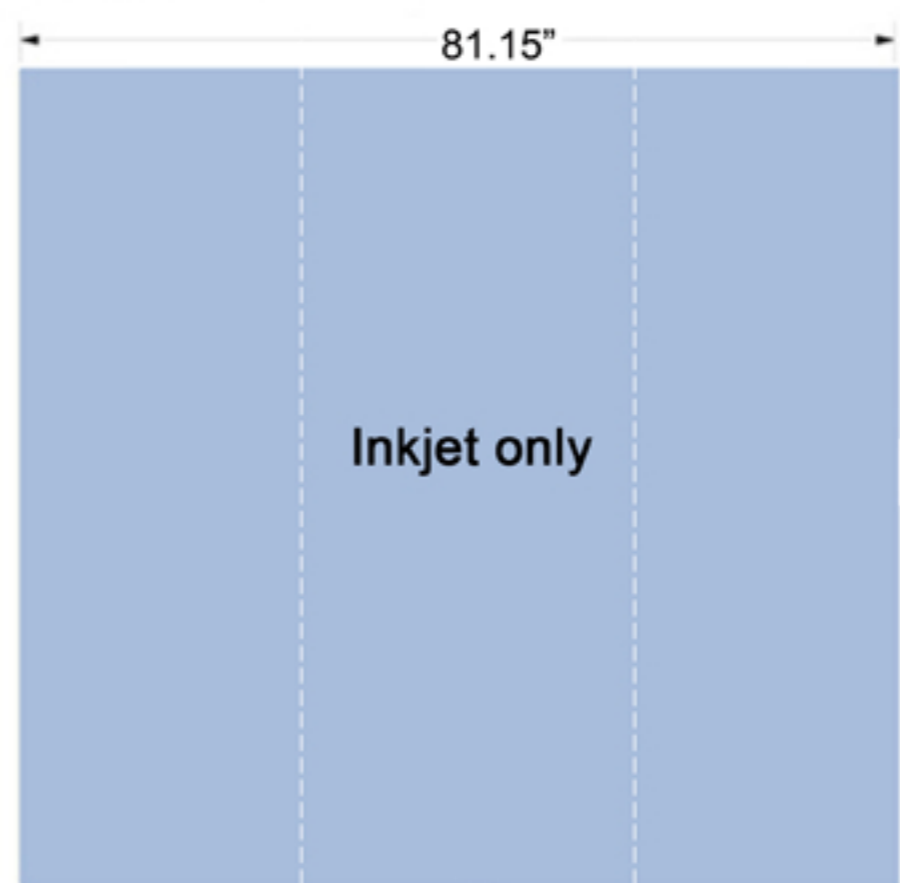
Dye Sub graphic panel



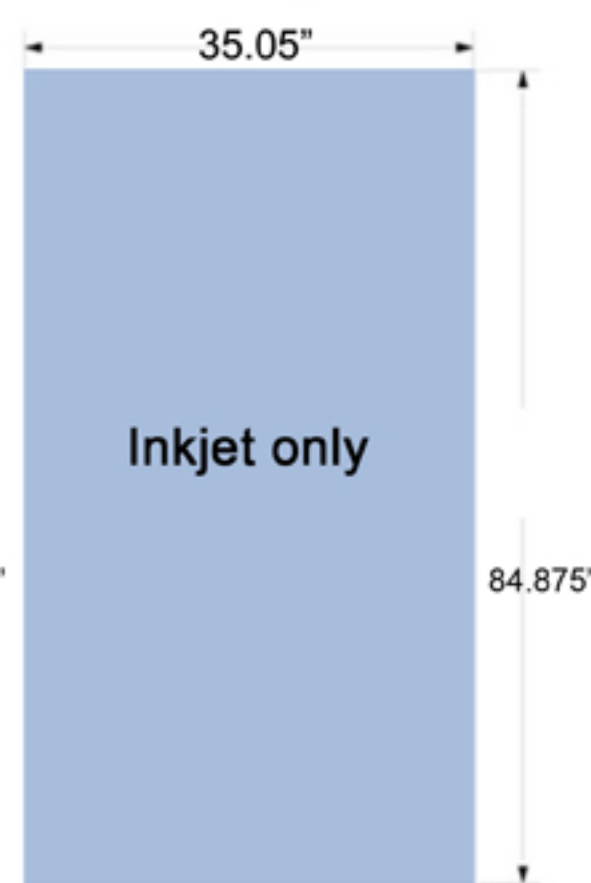
Dye Sub connecting panel



Inkjet graphic panels



Inkjet connecting panel



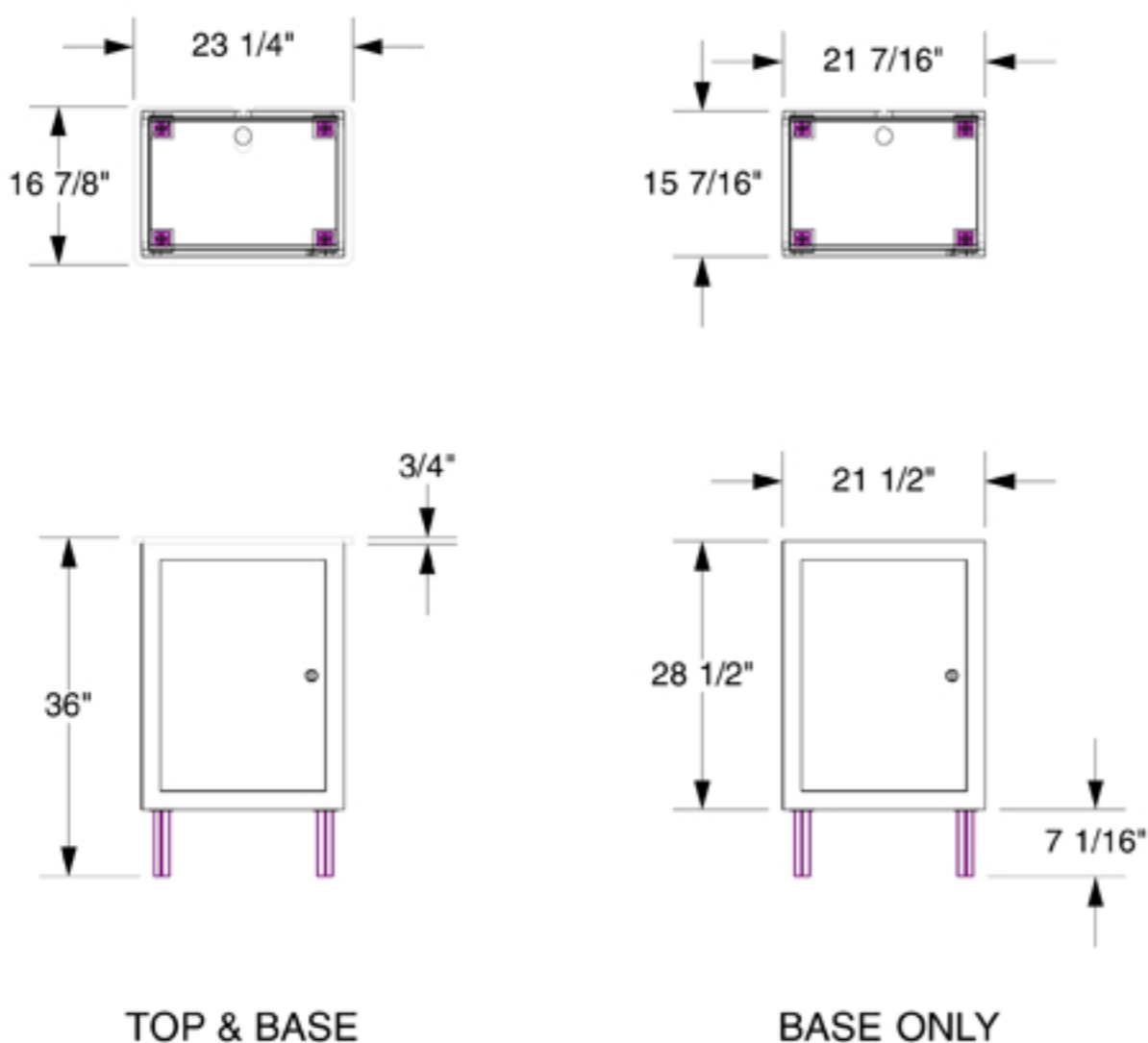
NOTE: Do not place critical art within 2" of the border, and leave an additional 1" white border all around.

**Front Panels:**  
 Printing: Prepare file at 81.15"x84"  
 Cutting: Panels are cut at 27"x84"  
 Magnetizing: Place right to edge on all 4 sides

**Connecting Panel:**  
 Printing: Prepare file at 35.05"x84"  
 Cutting: Panels are cut at 35"x84"  
 Magnetizing: Place right to edge on all 4 sides

**Wing Panels:**  
 Printing: Prepare file at size shown which include 1/4" bleed  
 Cutting: 1/4" from each side will trim off

Lineare Counter Dims



Alumalite Counter Dims

