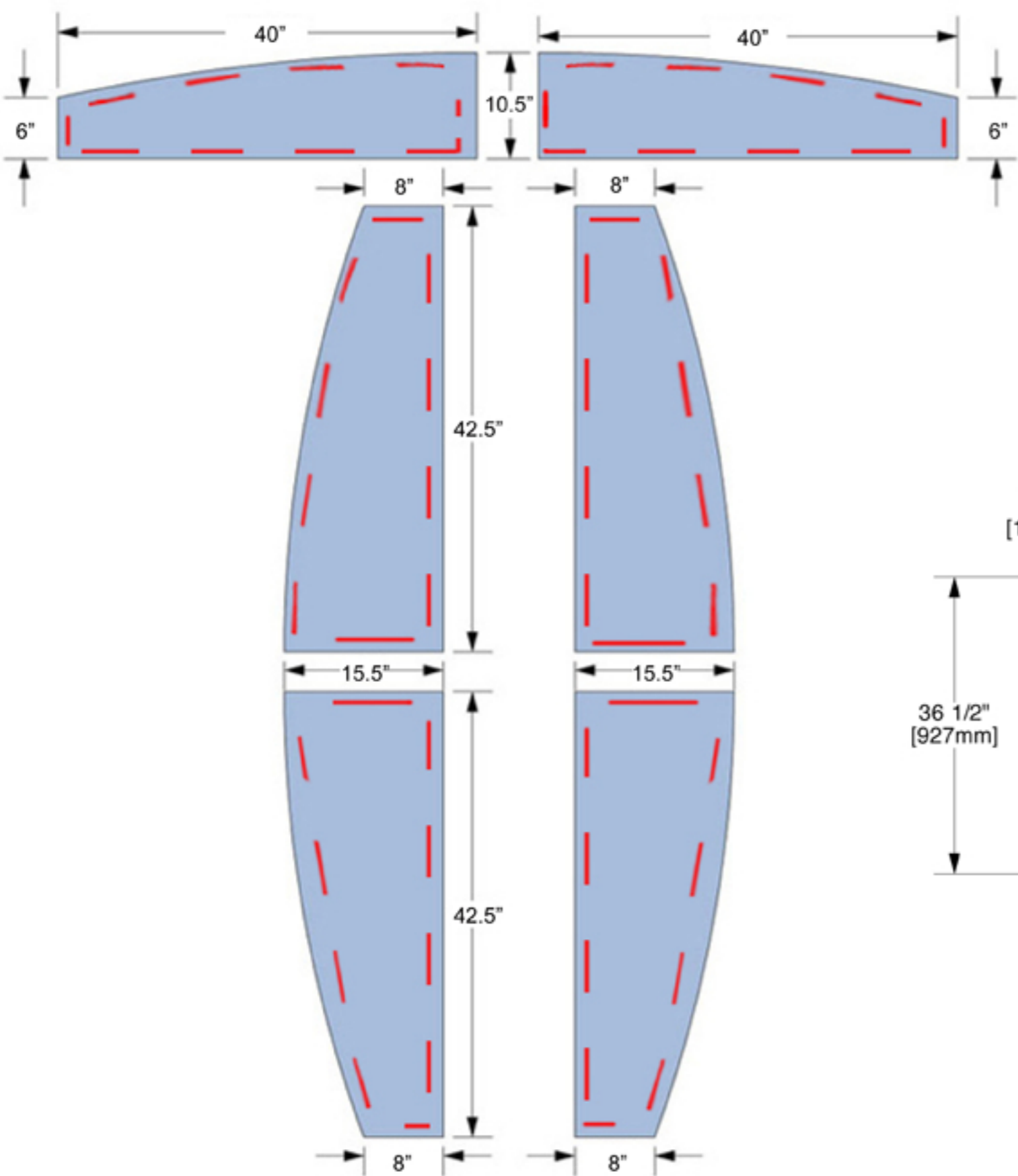


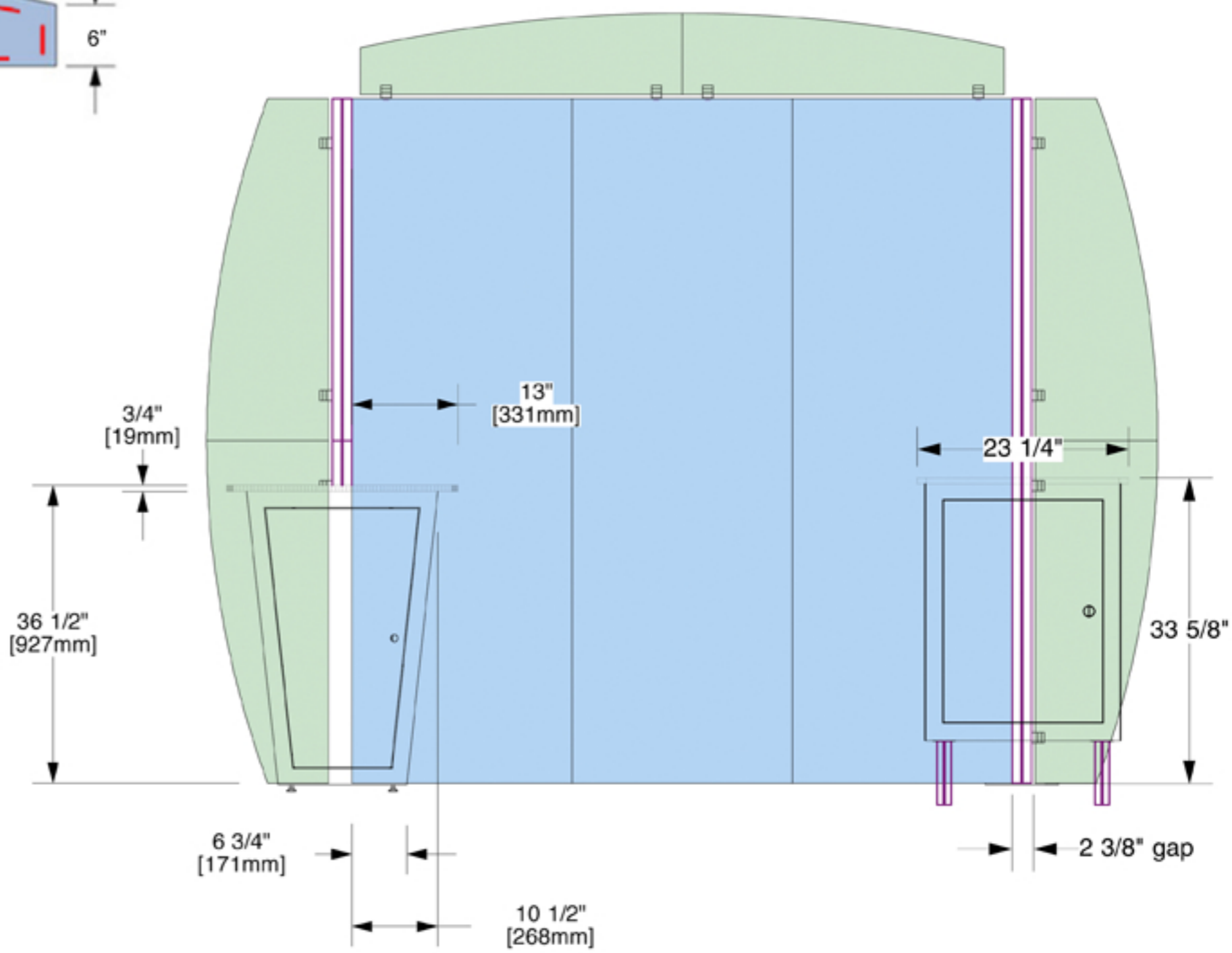
Panel Dimensions

Wings & Headers


AL-W3FP



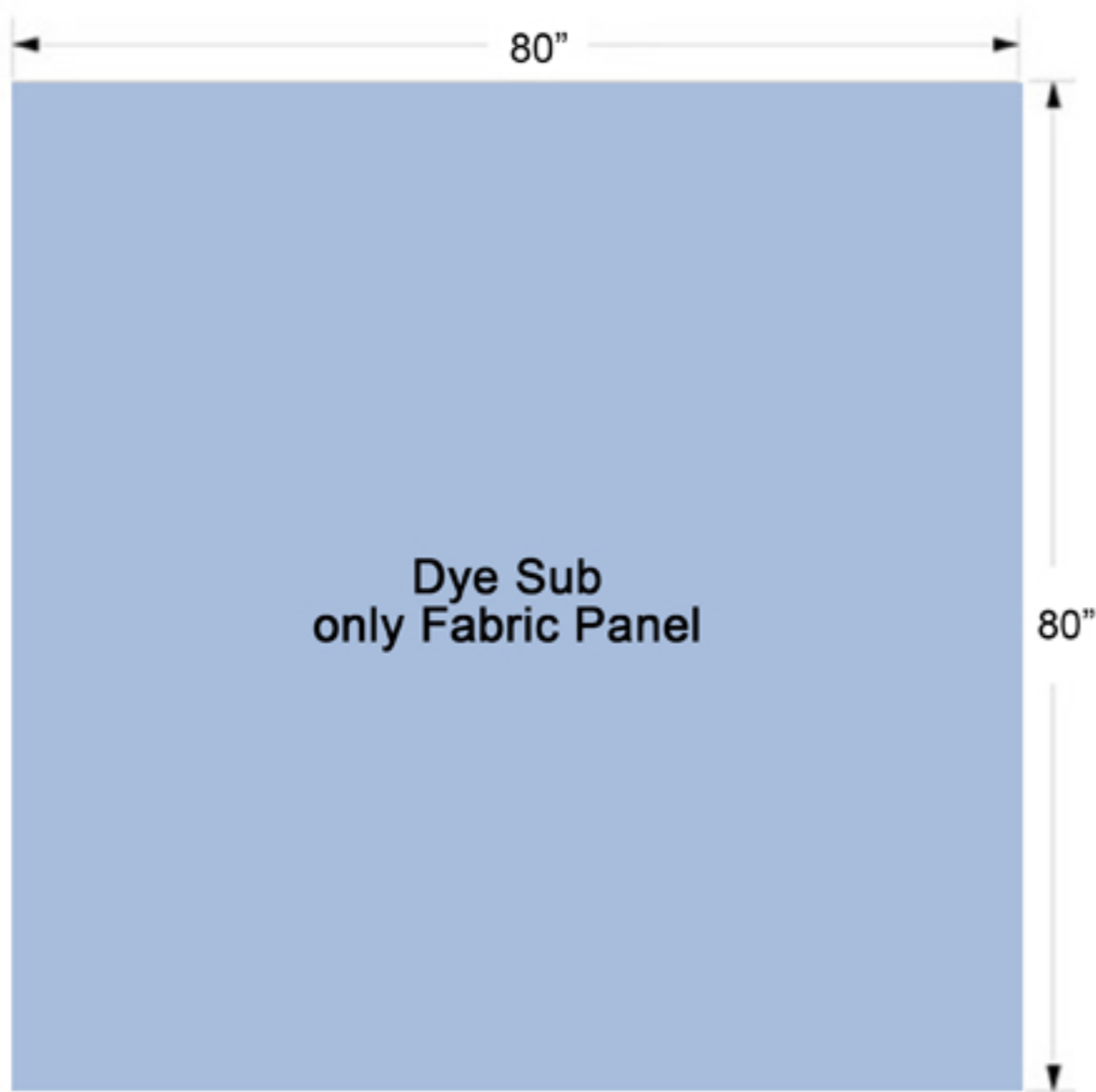
Fixed Counter Options



**\*\* Please note that sizes shown include a 1/4" bleed to each panel that will be trimmed off. Please design artwork accordingly.\*\***

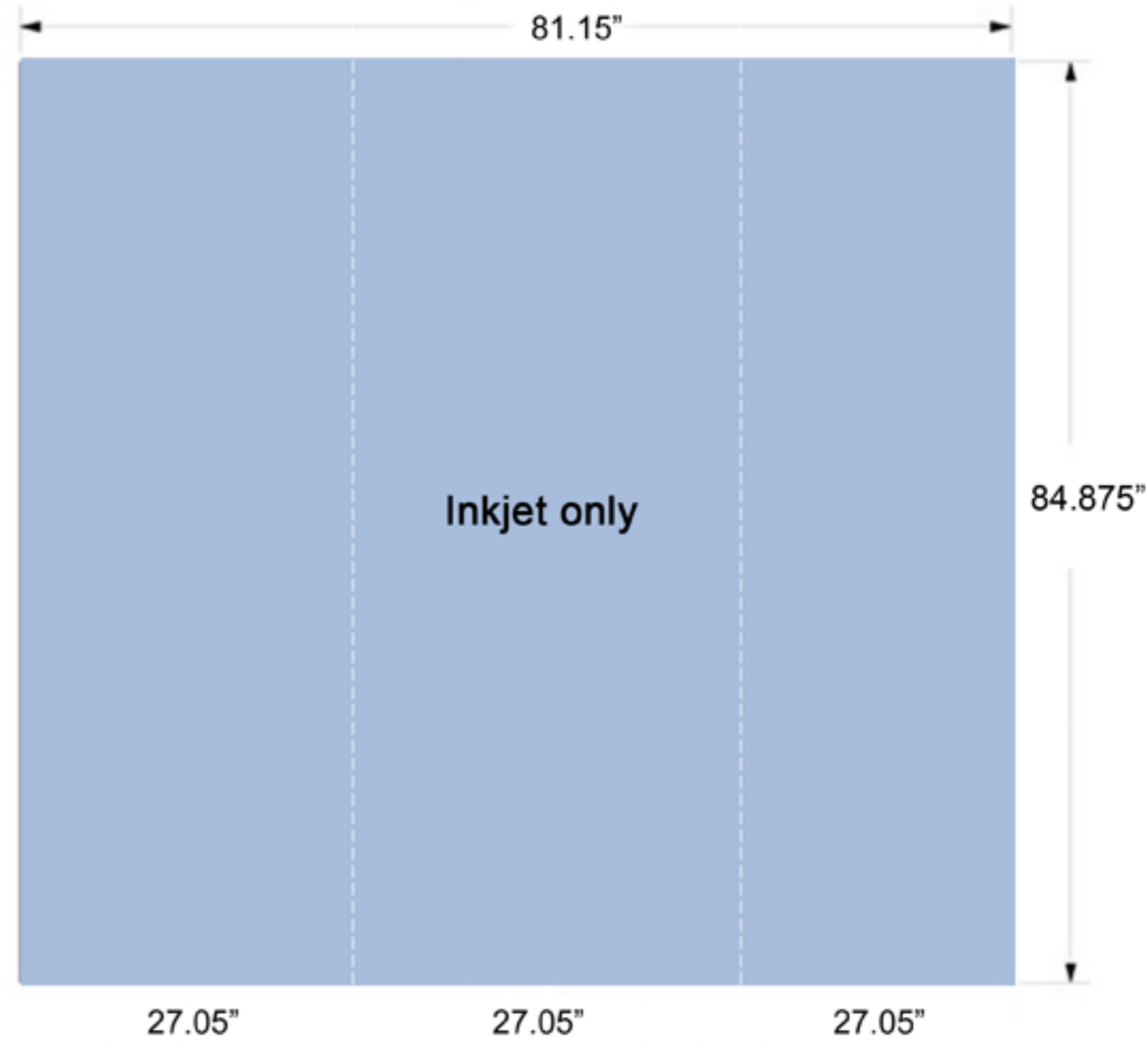
 = visible area

Dye Sub graphic panel



NOTE: Do not place critical art within 2" of the border. and leave an additional 1" white border all around.

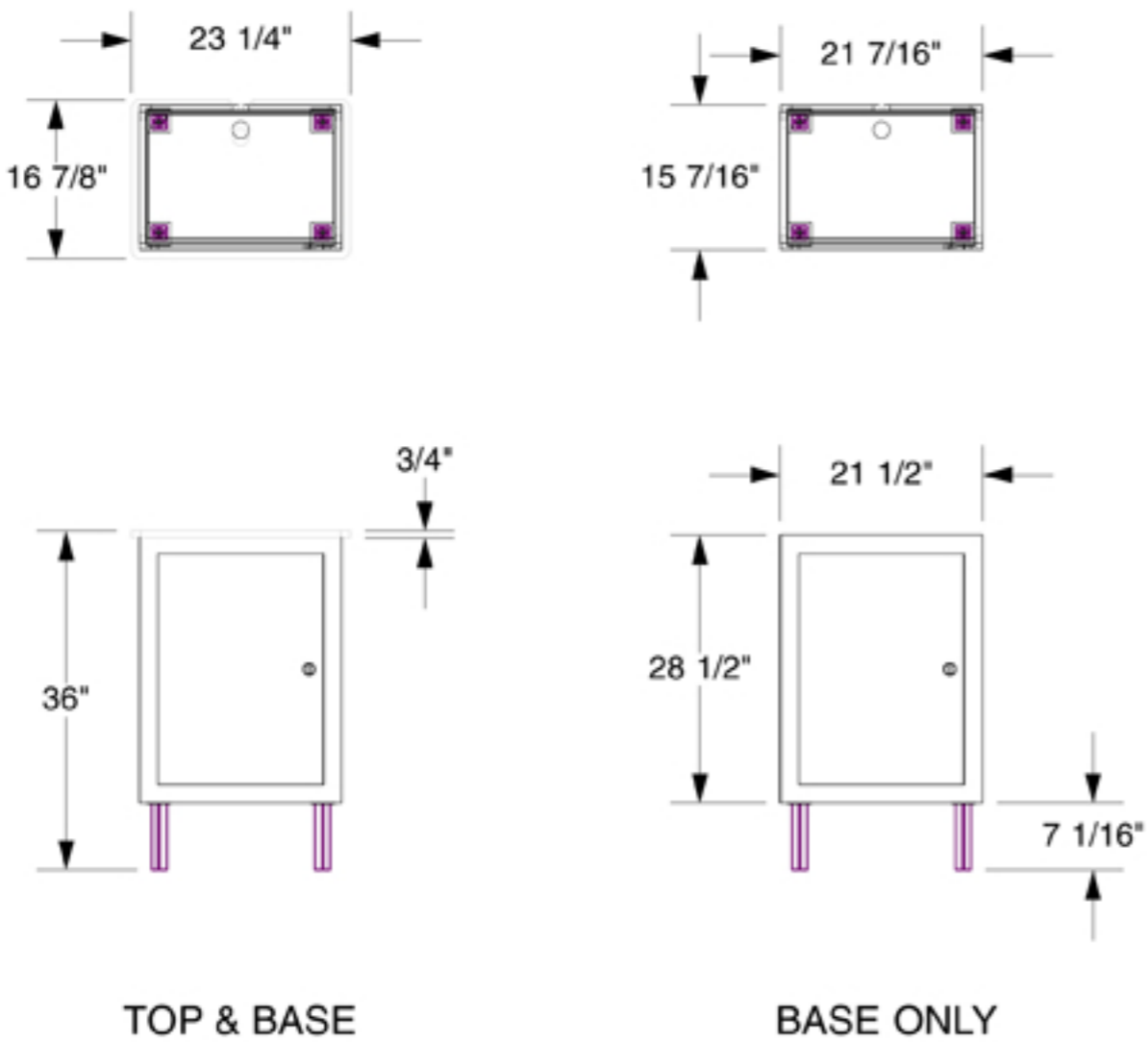
Inkjet graphic panels



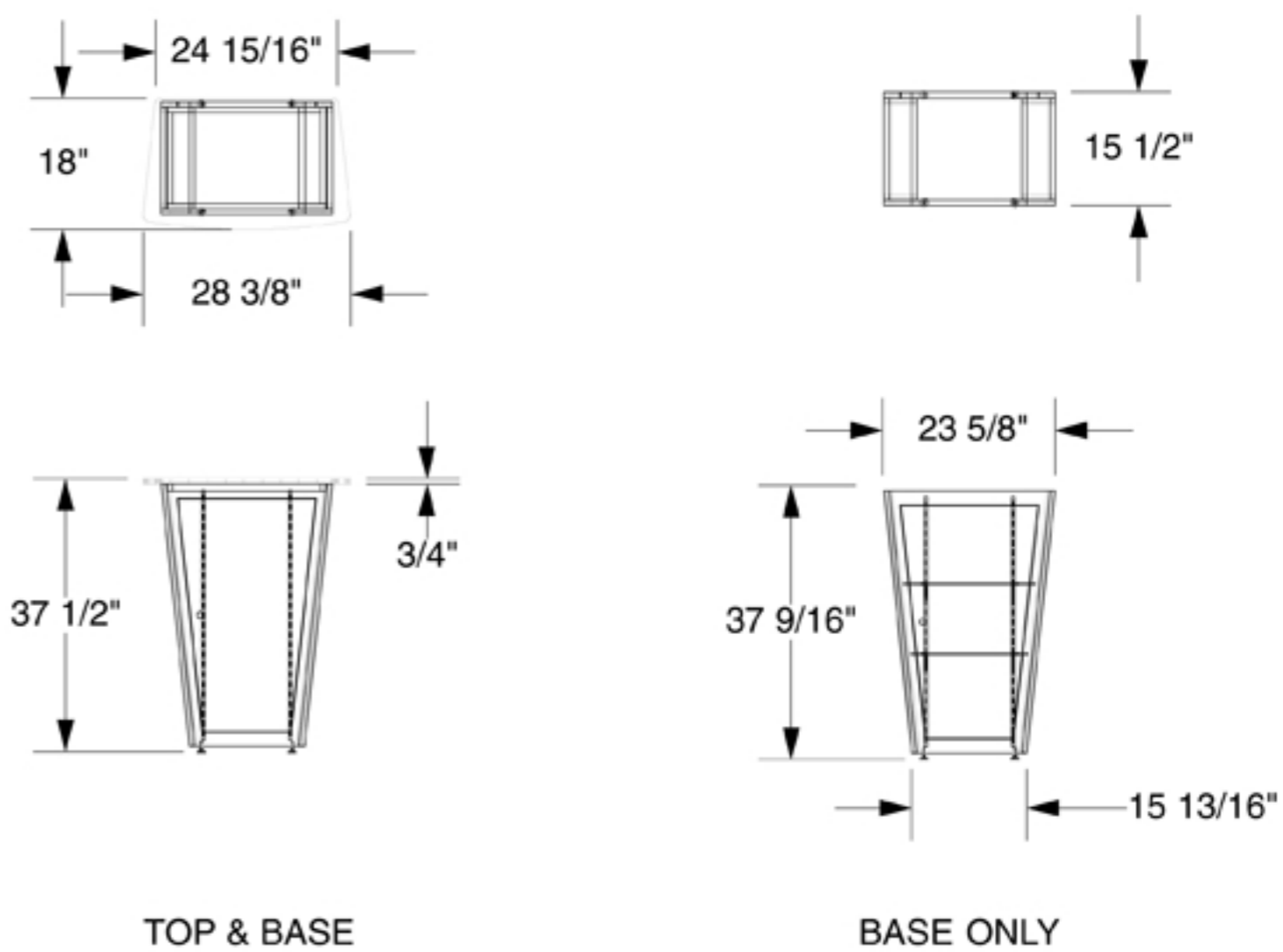
**Front Panels:**  
 Printing: Prepare file at 81.15"x84.875"  
 Cutting: Panels are cut at 27"x84"  
 Magnetizing: Place right to edge on all 4 sides

**Wing Panels:**  
 Printing: Prepare file at size shown which include 1/4" bleed  
 Cutting: 1/4" from each side will trim off

Lineare Counter Dims

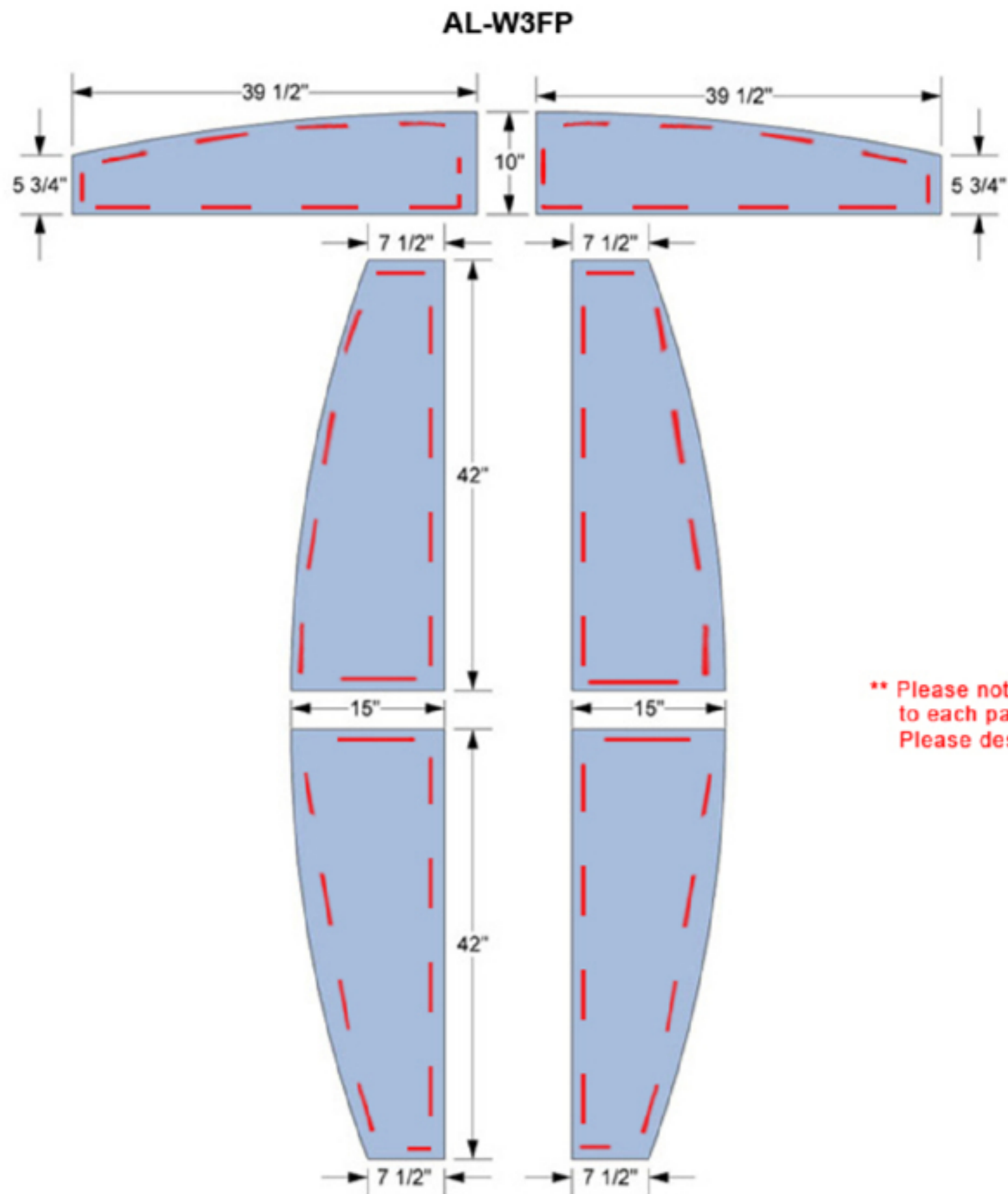


Alumalite Counter Dims

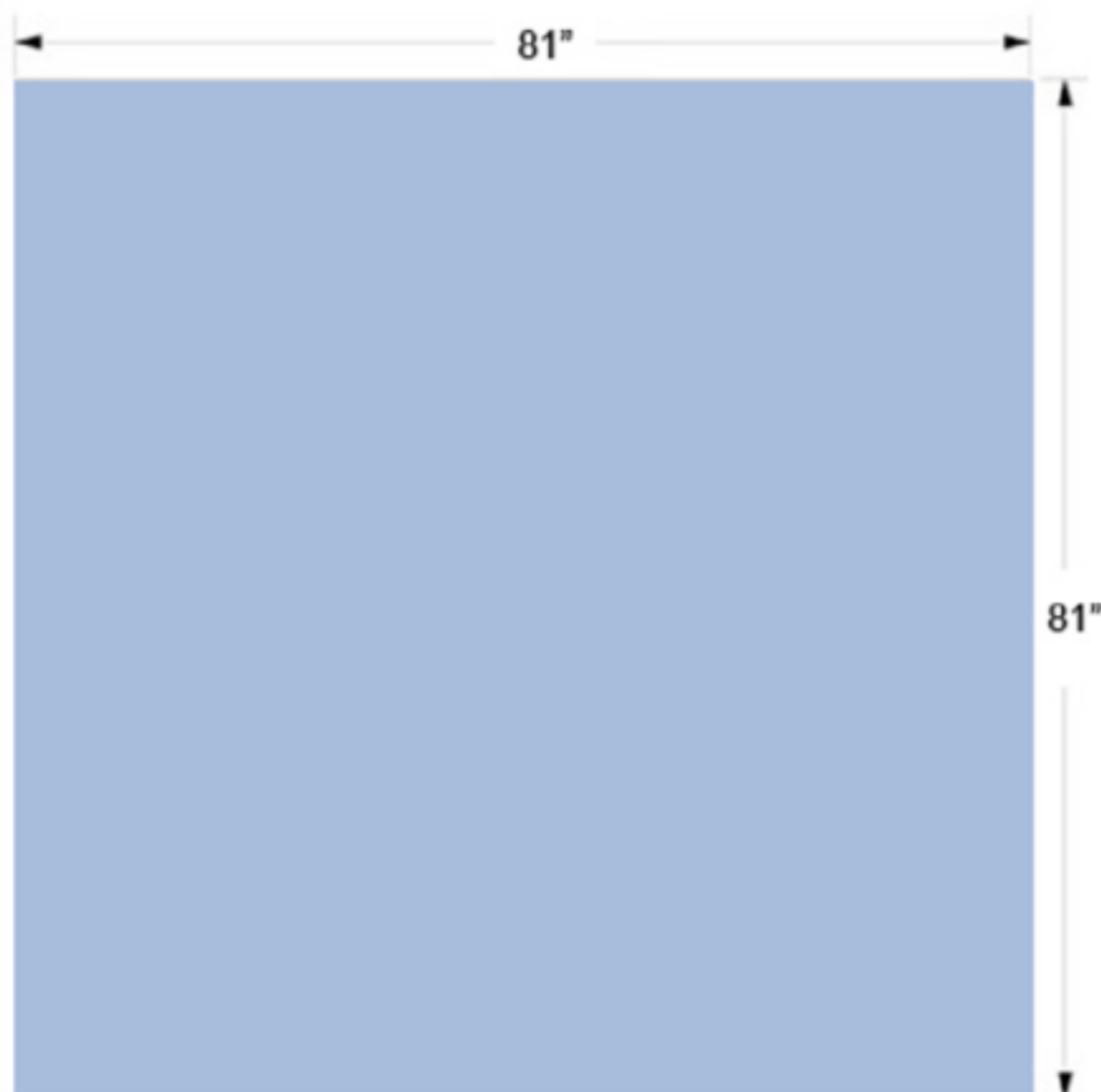


Panel Dimensions

Wings & Headers

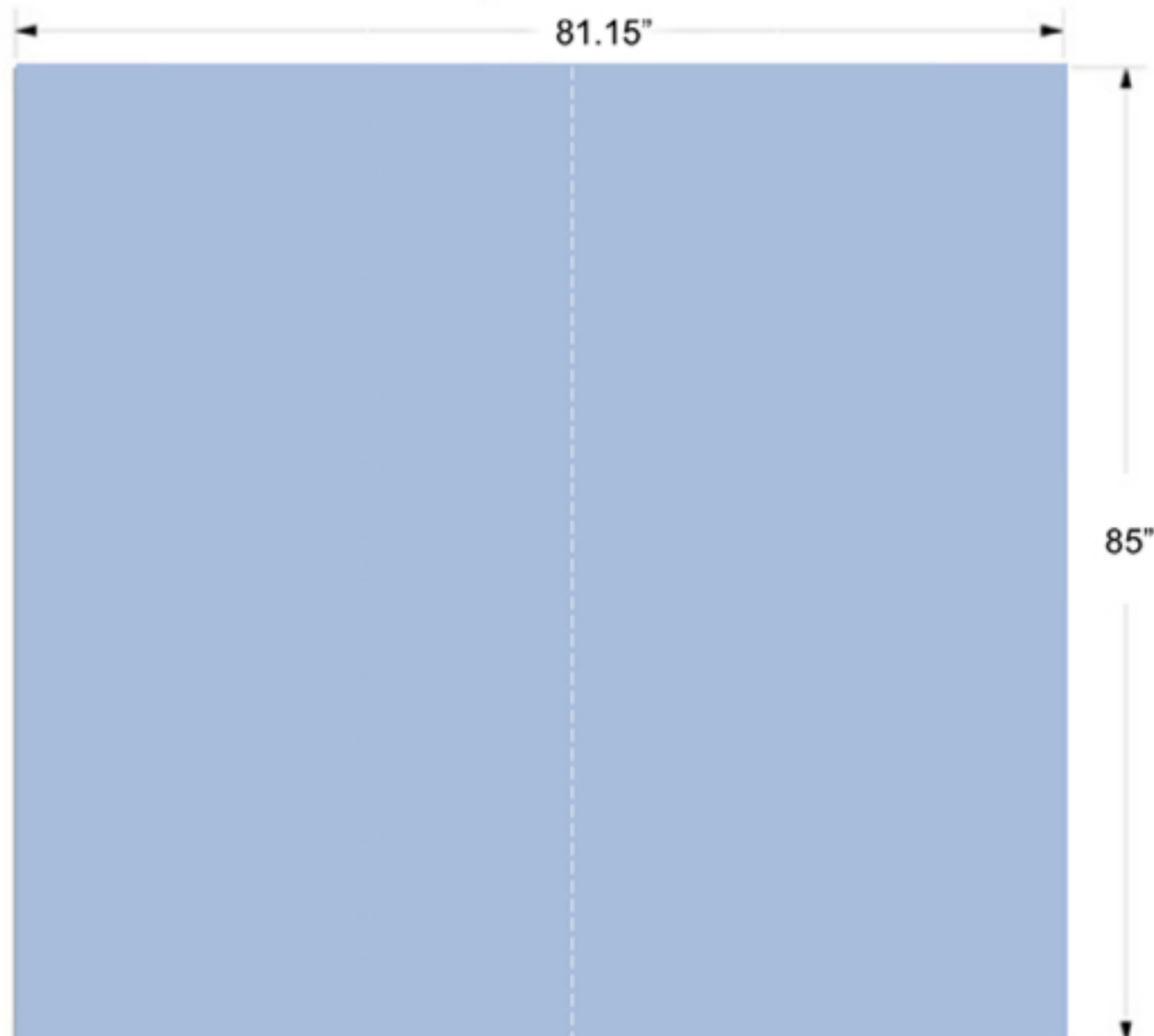


Dye Sub graphic panel



NOTE: Image of print is to be 79" Sq. (2.5% less) and leave an additional 1" white border all around.

Inkjet graphic panels



NOTE: Panels will trim at 83.875" tall. The 82" will be split in two panels so design art accordingly.